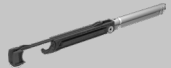
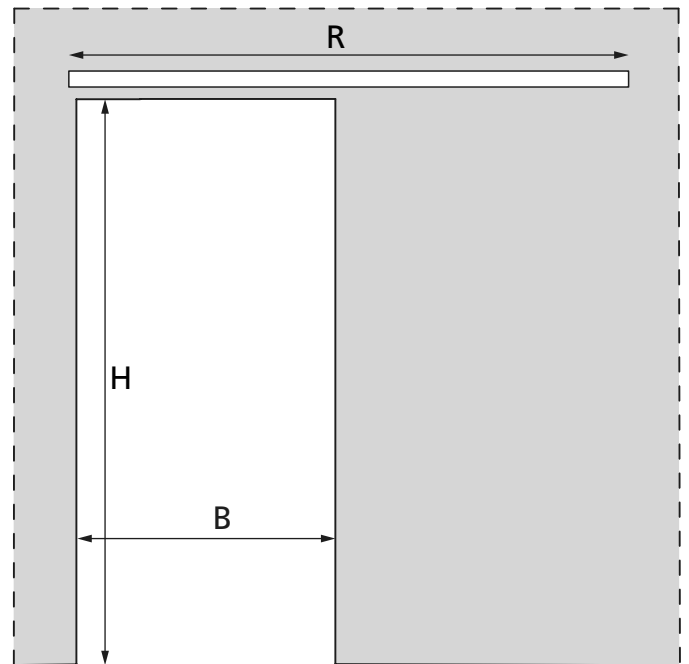
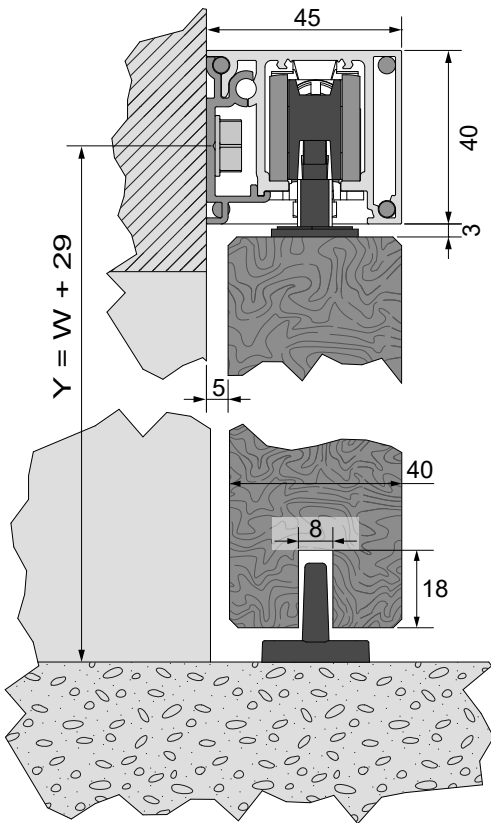




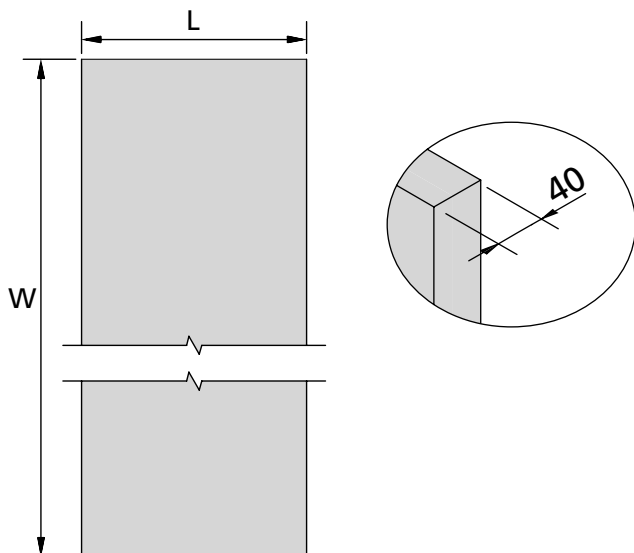
Réf. Kit Set nb / Art.-Nr.	B (mm)	L (mm)	R (mm)
SAF-S82C-160 SAF-S82D-160	720 < B < 760	830	1595
SAF-S82C-195 SAF-S82D-195	760 < B < 960	830 < B < 1030	1995
11108SMC/SP1 11108SMD/SP1	960 ≤ B < 1460	1030 ≤ B < 1530	R = (2 x L) - 65
11108SMC/SP2 11108SMD/SP2	1460 ≤ B < 2960	1530 ≤ B < 3030	R = (2 x L) - 65

OPTION

	10 - 20 KG	21 - 60 KG
	 M65S	 M66S
L (mm)		
< 830	1 Max	1 Max
≥ 830	2	2



Dimensions de la porte - Abmessungen von Türen - Dimensions of doors - Dimensiones de las puertas

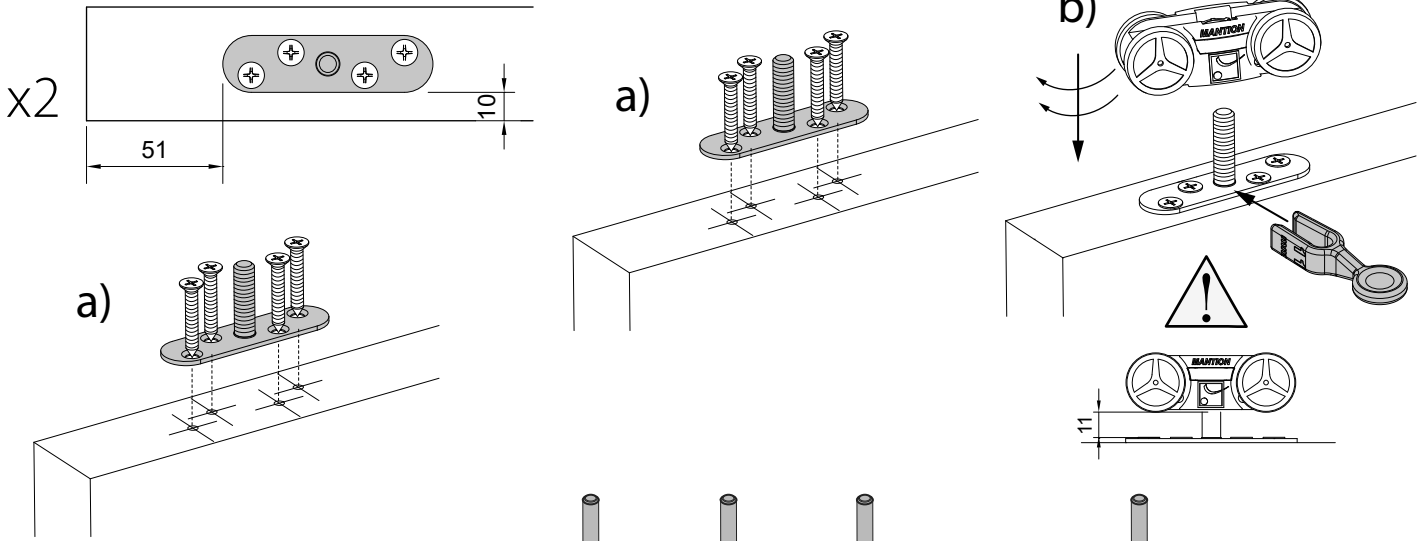


$L = B + 70 \text{ MM}$

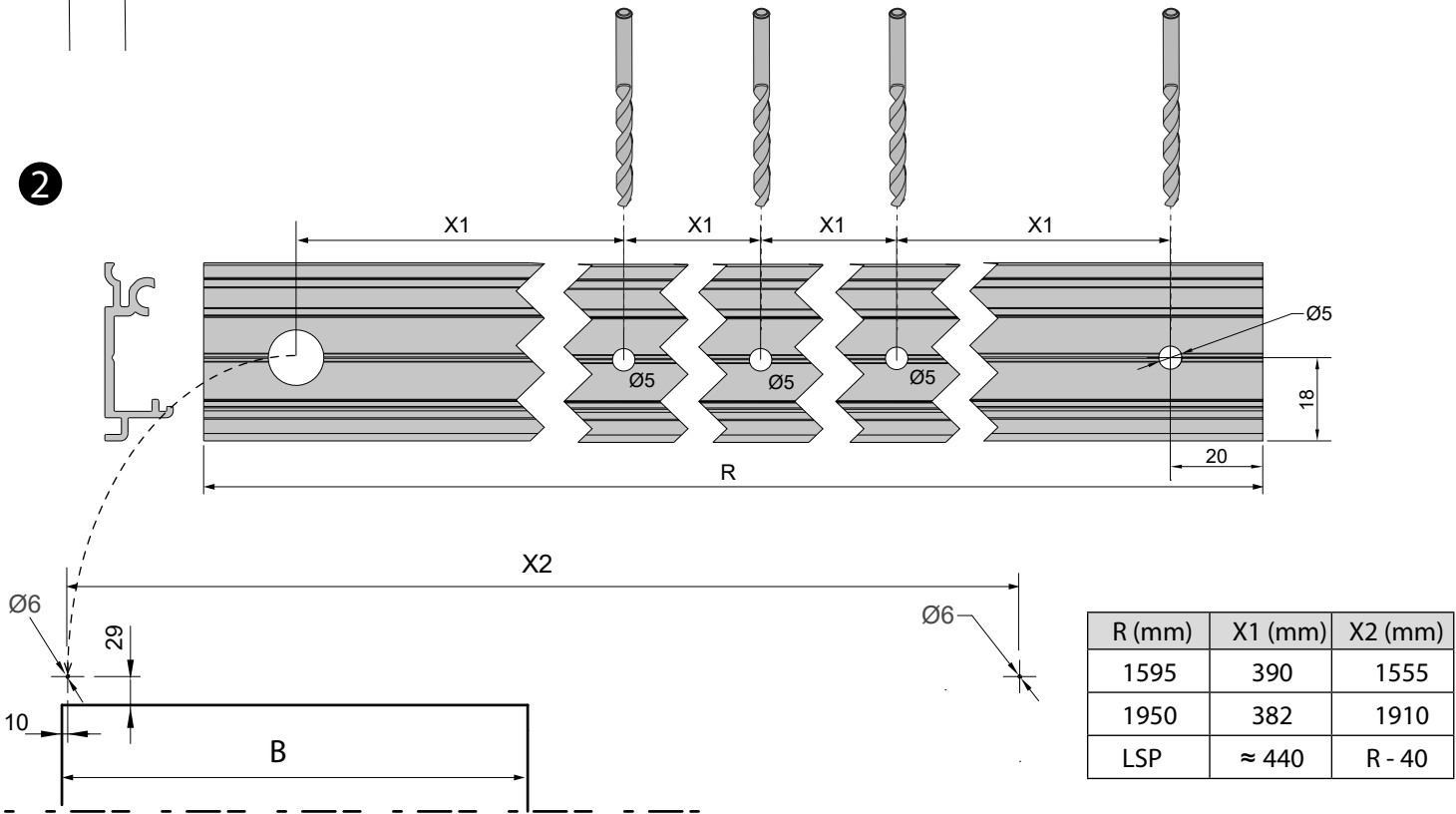
$W = H$



1



2



3

