



SPARE PARTS LIST

Reg. By KELE	Appr. By PETO	Appr. Date 1998-AUG-20	Page 1(3)	Class 053	No. 198366	Rev. 3
Info		Product name RAPID 606				


Pos No	Part No	Qty	Part Name
2	169005		TOOL Warp Avoiding Plate
3	169006		TOOL Front Spring loading tool
4-EU	16900790	1	POWER CORD KIT Vers. 21 (Europe) Vers. 24 (CH) Vers. 25 (GB) Vers. 28 (Australia)
4-CH	16909790	1	
4-GB	16909990	1	
4-AUS	16910190	1	
(4.1)		(1)	Electric Supply Cord 3,5M
(4.2)		(1)	Bend Relief
14	16901890	1	PLUNGER KIT 606
(14.1)		(1)	Roll Pin 3 x 12
(14.2)		(1)	Driver Blade 606
(14.3)		(1)	Plunger
(14.4)		(1)	Plunger Cap
17	16902190	1	TRIGGER KIT RAPID 606/553
(17.1)		(1)	Trigger Rapid 606/553
(17.2)		(1)	Trigger Spring
20	16902490	1	SPRING DAMPER KIT 606
(20.1)		(1)	Damper
(20.2)		(1)	Plunger Return Spring
(20.3)		(1)	Damper Washer
24	16902890	1	SHELL KIT RAPID 606/553
(24.1)		(1)	Shell SX.Rapid
(24.2)		(1)	Shell DX.Rapid
(24.3)		(6)	Special Screw TCTC
38	169044	1	Solenoid Type "A"
40	169047	1	Electr. Board Assembly 220/240V
41	169048	1	Solenoid Support
42	169049	1	Magazine Assembly 606
44	169051	1	Front Plate 606
46	169054	1	Panel Guide 606
48	169056	1	Armature SX
49	169057	1	Armature DX
50	169058	1	Circlip 2,3
53	169062	1	Pusher 606
54	169063	1	Pusher Spring
55	169064	1	Spring guide
56	169065	1	Solenoid Base Pin
57	169066	1	Front Plate Holder
58	169067	1	Circlip 3,2
59	169068	1	Front Plate Holder Spring
61	169070	1	Rear Support 606
63	169072	1	Rear Support Holder 606
66	169075	1	Screw TSPCPH M3 x 12-8,8
67	169076	1	Self-Lock NUT M3
68	169077	1	Cable Holder
69	169032	2	Special Screw TCTC

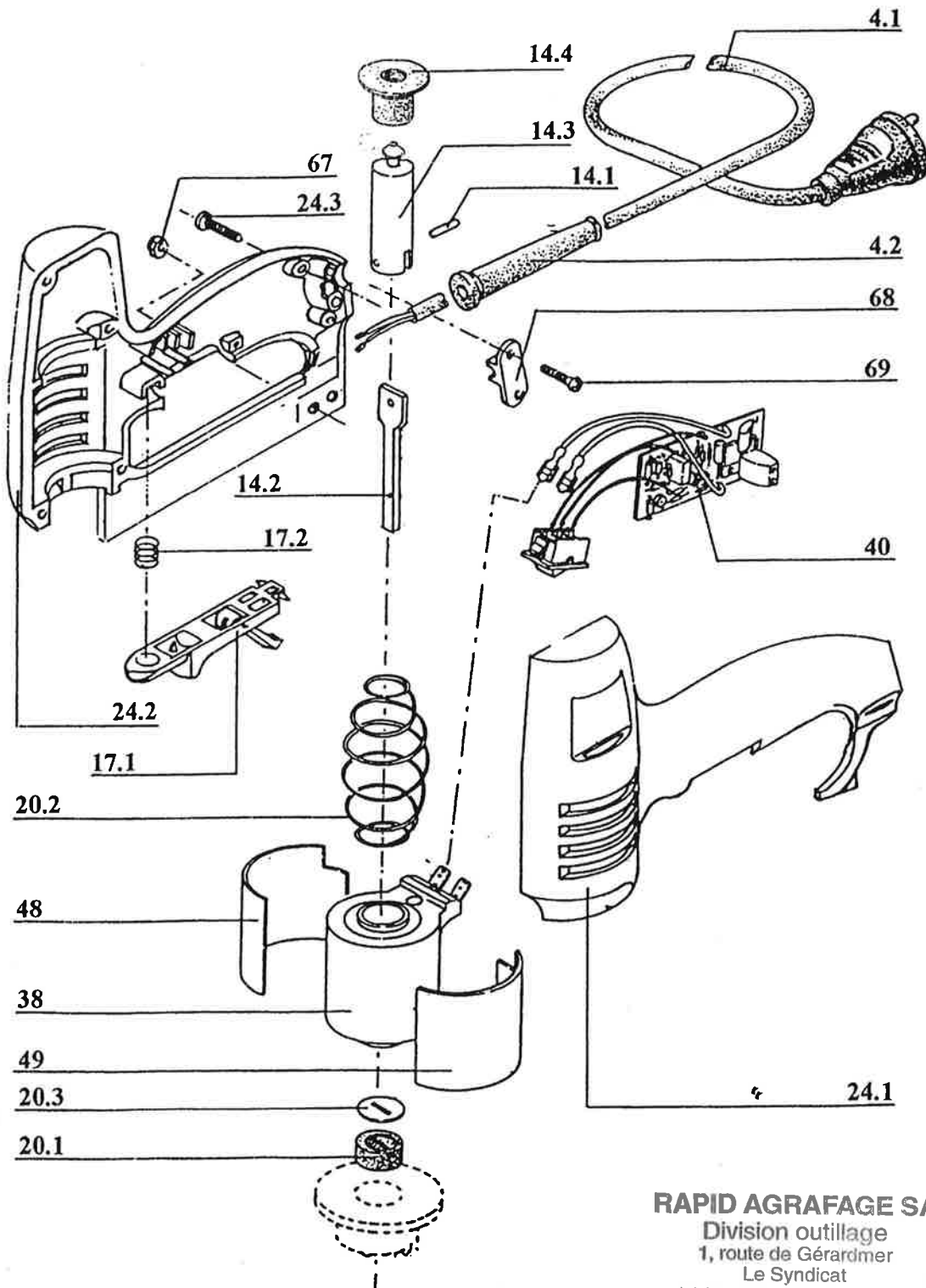
(interrupteur T/A)

If a part is included in a kit, the hole kit must be ordered.

When ordering always state the part numbers.

Head office and factory: ISABERG RAPID AB, Box 115, S-330 27 Hestra, Sweden
 Telephone 46-(0)370-33 95 00. Telefax 46-(0)370-33 95 02.
 Internet www.isaberg-rapid.com

Rapid 		SPARE PARTS LIST				
Reg. By KELE	Appr. By PETO	Appr. Date 1998-AUG-20	Page 2(3)	Class 053	No. 198366	Rev. 3
Info		Product name RAPID 606				



RAPID AGRAFAGE SA
 Division outillage
 1, route de Gérardmer
 Le Syndicat
 88125 VAGNEY CEDEX
 FRANCE

When ordering always state the part numbers.
 Head office and factory: ISABERG RAPID AB, Box 115, S-330 27 Hestra, Sweden
 Telephone 46-(0)370-33 95 00. Telefax 46-(0)370-33 95 02.
 Internet www.isaberg-rapid.com

RAPID 606

