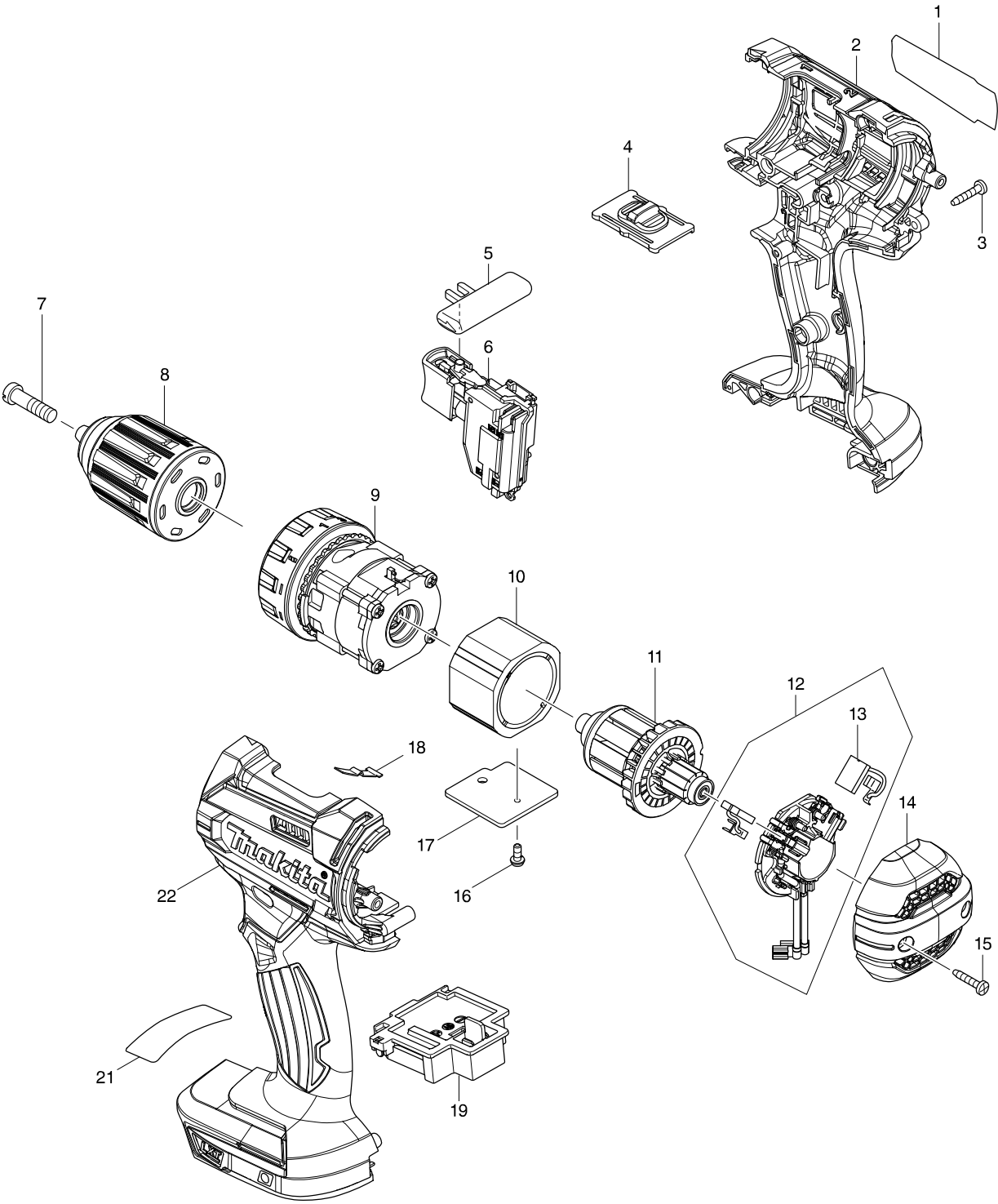


Numéro du modèle DDF482 CORDLESS DRIVER DRILL



Position	Référence pièce	Description	Echelle	QTE	N/O	Option 1	Option 2	COMMENTAIRE
001	851E35-2	DDF482 NAME PLATE		1				
002	183B65-0	HOUSING SET		1				
C10	263005-3	RUBBER PIN 6		2		P2		
D10		INC. 22						
003	266429-2	TAPPING SCREW 3X16		9		P1		
004	123442-2	SPEED CHANGE LEVER ASSEMBLY		1				
C10	233438-6	COMPRESSION SPRING 4		2		P1		
005	419041-9	F/R CHANGE LEVER		1		P1		
006	632F27-4	SWITCH UNIT		1				
C10	620444-4	LED CIRCUIT		1				
C20	688172-7	LINE FILTER		1		P1		
007	251468-5	- FLAT HEAD SCREW M6X22		1		P1		
008	766027-7	KEYLESS DRILL CHUCK 13		1				
009	123444-8	GEAR ASSEMBLY		1				
010	632F32-1	YOKE UNIT		1				
011	619380-9	ARMATURE		1				
012	632F21-6	BRUSH HOLDER COMPLETE		1				
C10	688172-7	LINE FILTER		1		P1		
D10		INC. 13						
013	194427-5	CARBON BRUSH CB-440		1		P9		
014	456099-7	REAR COVER		1				
015	266429-2	TAPPING SCREW 3X16		2		P1		
016	911006-2	PAN HEAD SCREW M3X8		1		P1		
017	689070-8	HEAT SINK		1		P3		
018	232182-2	LEAF SPRING		1		P2		
019	644808-8	TERMINAL		1		P5		
022	183B65-0	HOUSING SET		1				
C10	263005-3	RUBBER PIN 6		2		P2		
D10		INC. 2						
A01	251314-2	+ SCREW M4X12		1		P1		
A02	346317-0	HOOK		1		A3		
A03	784637-8	+/- BIT 2-45		1		A4		
A04C	821550-0	CONNECTOR PLASTIC CASE (TYPE2)		1		A28		
C10	453974-8	LATCH		4		P1		
A04D	821550-0	CONNECTOR PLASTIC CASE (TYPE2)		1		A28		
C10	453974-8	LATCH		4		P1		
A04E	821550-0	CONNECTOR PLASTIC CASE (TYPE2)		1		A28		
C10	453974-8	LATCH		4		P1		
A04F	821550-0	CONNECTOR PLASTIC CASE (TYPE2)		1		A28		
C10	453974-8	LATCH		4		P1		
A05C	450128-8	BATTERY COVER		1		P1		
A05D	450128-8	BATTERY COVER		2		P1		
A05E	450128-8	BATTERY COVER		1		P1		
A05F	450128-8	BATTERY COVER		2		P1		
A06C	***DC18RC	DC18RC FAST CHARGER		1				
A06D	***DC18RC	DC18RC FAST CHARGER		1				
A06E	***DC18RC	DC18RC FAST CHARGER		1				
A06F	***DC18RC	DC18RC FAST CHARGER		1				

Position	Référence pièce	Description	Echelle	QTE	N/O	Option 1	Option 2	COMMENTAIRE
A07C	197265-4	BATTERY BL1840B SET		2				
A07D	197265-4	BATTERY BL1840B SET		3				
A07E	197280-8	BATTERY BL1850B SET		2				
A07F	197280-8	BATTERY BL1850B SET		3				
A08C	837916-4	INNER TRAY		1		A13		
A08D	837916-4	INNER TRAY		1		A13		
A08E	837916-4	INNER TRAY		1		A13		
A08F	837916-4	INNER TRAY		1		A13		
A09C	808J25-6	DDF482RMJ INDICATION LABEL		1				
A09D	808J33-7	DDF482RM3J INDICATION LABEL		1				
A09E	808V92-3	DDF482RTJ INDICATION LABEL		1				
A09F	809J17-8	DDF482RT3J INDICATION LABEL		1				
A10C	808J26-4	DDF482RMJ PLASTIC CASE LABEL		2				
A10D	808J34-5	DDF482RM3J PLASTIC CASE LABEL		2				
A10E	808V94-9	DDF482RTJ PLASTIC CASE LABEL		2				
A10F	809J18-6	DDF482RT3J PLASTIC CASE LABEL		2				