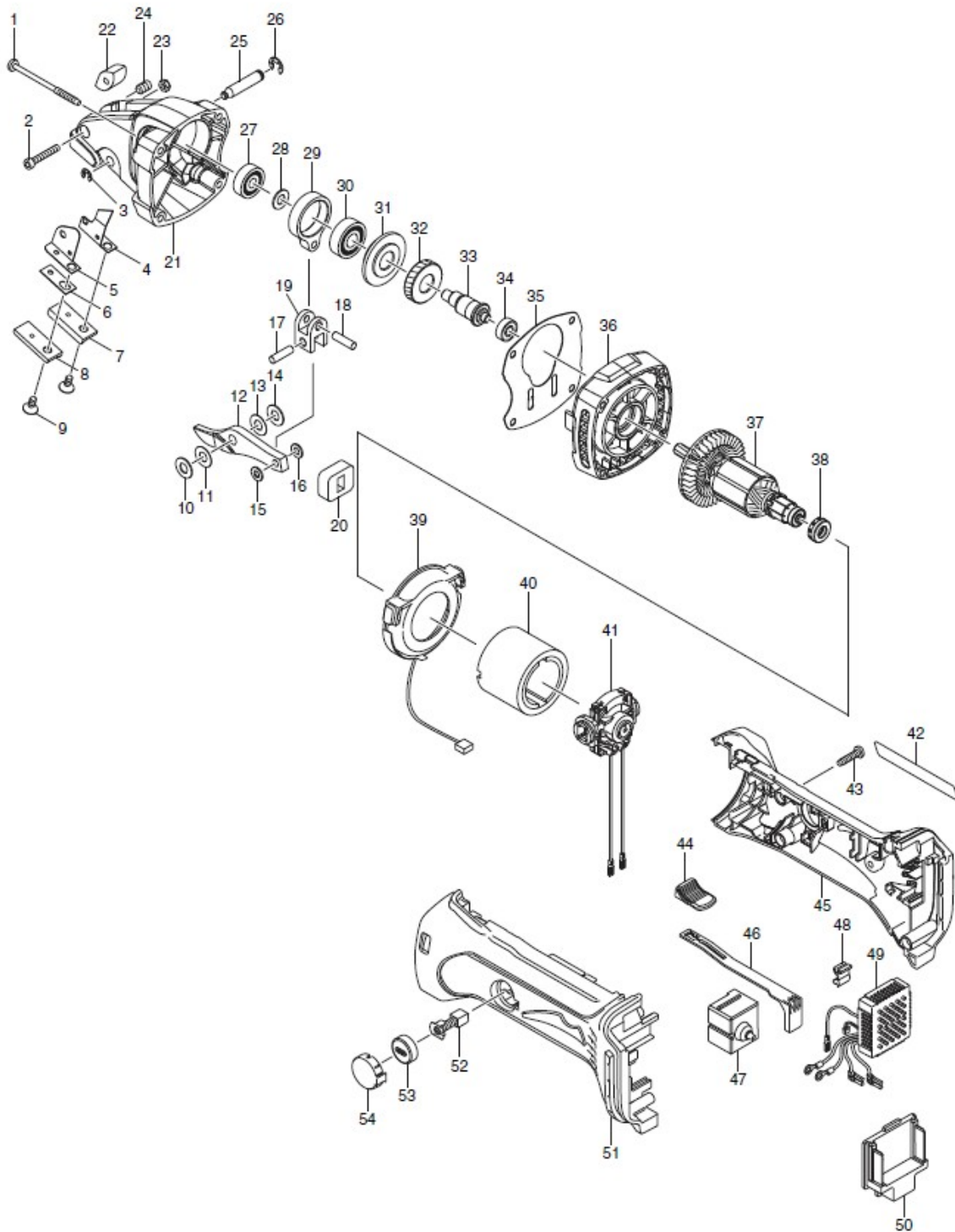


Cisaille BJS161



2009/01
BJS161

Cisaille BJS161



Item	Parts_No.	Parts_Description	Qty	Unit
1	266091-3	TAPPING SCREW 4X50	4	PC.
2	922147-9	HEX. SOCKET HEAD BOLT M4X25	1	PC.
3	961011-9	STOP RING E-4	1	PC.
4	343480-0	SLIP PLATE L	1	PC.
5	346131-4	SLIP PLATE R	1	PC.
6	343481-8	SPACER	1	PC.
7	792533-6	SIDE BLADE SET	1	SET
9	251951-2	HEX. SOCKET HEAD BOLT M5X10	2	PC.
10	261065-9	TEFLON WASHER 7	1	PC.
11	253338-4	THIN WASHER 7	1	PC.
12	792534-4	CENTER BLADE	1	PC.
13	253338-4	THIN WASHER 7	1	PC.
14	261065-9	TEFLON WASHER 7	1	PC.
15	267010-2	FLAT WASHER 5	1	PC.
16	267010-2	FLAT WASHER 5	1	PC.
17	256155-1	PIN 5	1	PC.
18	256155-1	PIN 5	1	PC.
19	331329-6	LINK	1	PC.
20	423118-4	DUST COVER	1	PC.
21	140130-6	CRANK HOUSING COMPLETE	1	PC.
22	325727-4	BLOCK	1	PC.
23	252083-8	HEX. LOCK NUT M4-7	1	PC.
24	266085-8	H.S.SET SCREW(FLAT POINT)M6X10	1	PC.
25	256733-7	PIN 7	1	PC.
26	961012-7	STOP RING E-6	1	PC.
27	210023-2	BALL BEARING 627DDW	1	PC.
28	253133-2	FLAT WASHER 7	1	PC.
29	331273-7	ROD	1	PC.
30	210067-2	BALL BEARING 6000ZZ	1	PC.
31	325716-9	SEALING SCREW	1	PC.
32	227716-4	HELICAL GEAR 34	1	PC.
33	325715-1	CRANK SHAFT	1	PC.
34	210033-9	BALL BEARING 696ZZ	1	PC.
35	442150-9	GASKET	1	PC.
36	140131-4	GEAR HOUSING COMPLETE	1	PC.
37	619249-7	ARMATURE	1	PC.
38	421977-0	RUBBER RING 13	1	PC.
39	631714-6	LED CIRCUIT	1	PC.
40	638376-1	YOKE UNIT	1	PC.
41	638448-2	ENDBELL COMPLETE	1	PC.
42	866930-3	BJS161 NAME PLATE	1	PC.
43	265995-6	TAPPING SCREW 4X18	5	PC.
44	419566-3	SWITCH KNOB	1	PC.
45	188736-2	HOUSING SET	1	SET
45	263005-3	RUBBER PIN 6	2	PC.
45		INC. 51	0	
46	419519-2	SWITCH LEVER	1	PC.
47	650579-7	SWITCH 1246.3223	1	PC.
48	424026-2	CUSHION	1	PC.
49	631713-8	CONTROLLER	1	PC.
50	643812-4	TERMINAL	1	PC.
51	188736-2	HOUSING SET	1	SET
51	263005-3	RUBBER PIN 6	2	PC.
51		INC. 41	0	
52	191971-3	CARBON BRUSH CB-430	1	SET
53	643929-3	BRUSH HOLDER CAP	2	PC.
54	419518-4	HOLDER CAP COVER	2	PC.
A01	762013-6	THICKNESS GAUGE	1	PC.

Cisaille BJS161



A02	783201-2	HEX. WRENCH 3	1	PC.
A02A	783201-2	HEX. WRENCH 3	1	PC.
A03	***DC18RA	DC18RA FAST CHARGER	1	PC.
A04	194204-5	BATTERY BL1830 SET	2	PC.
A05	450128-8	BATTERY COVER	1	PC.
A06	824899-7	PLASTIC CARRYING CASE	1	PC.
A06	163455-1	LATCH	2	PC.