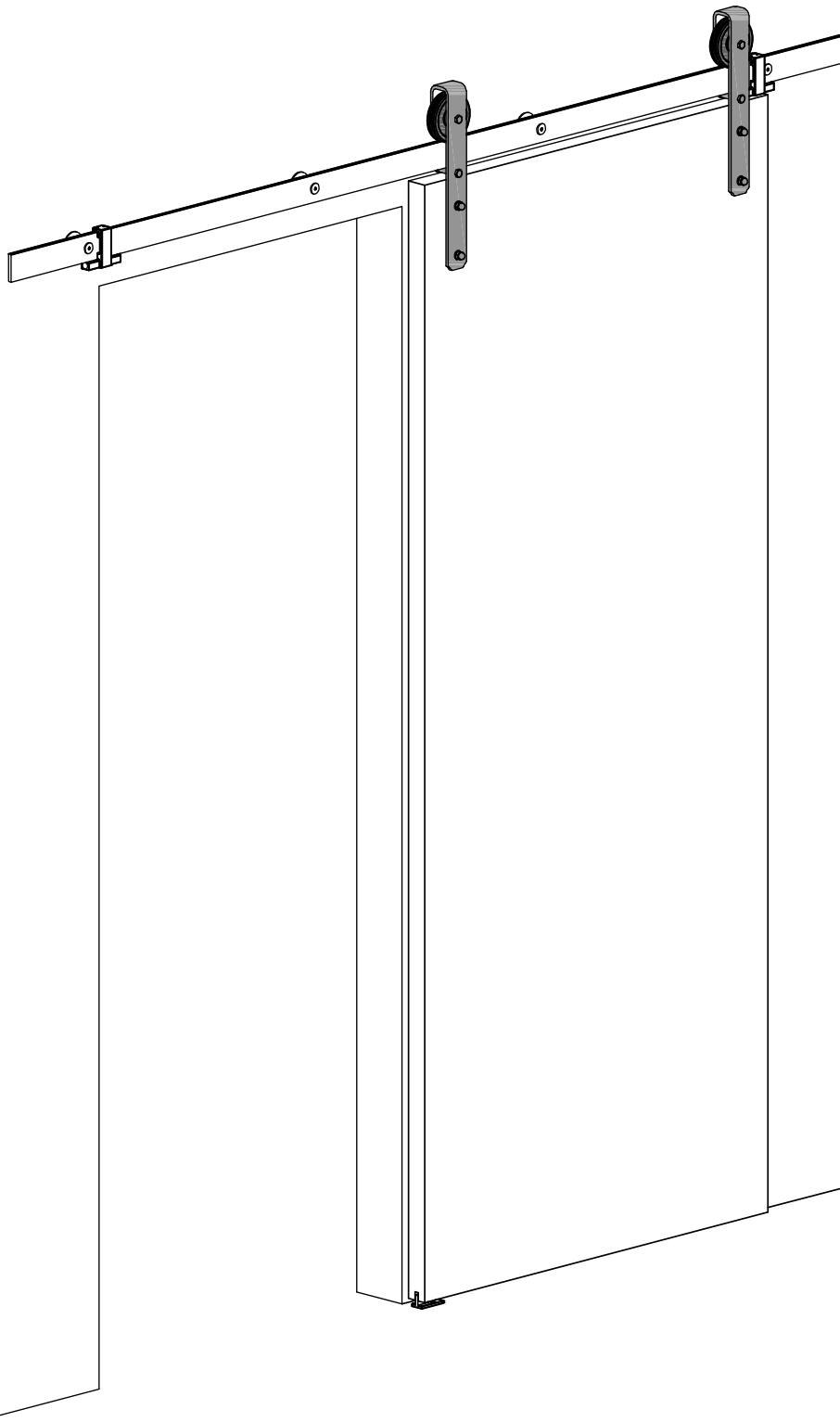
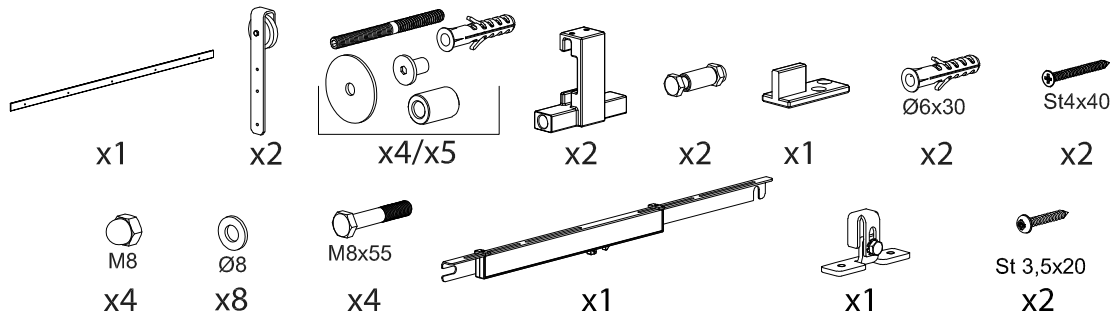




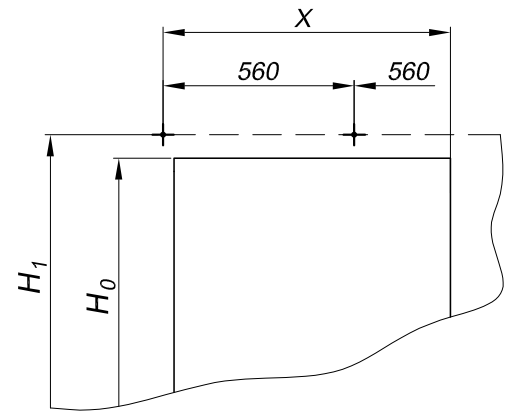
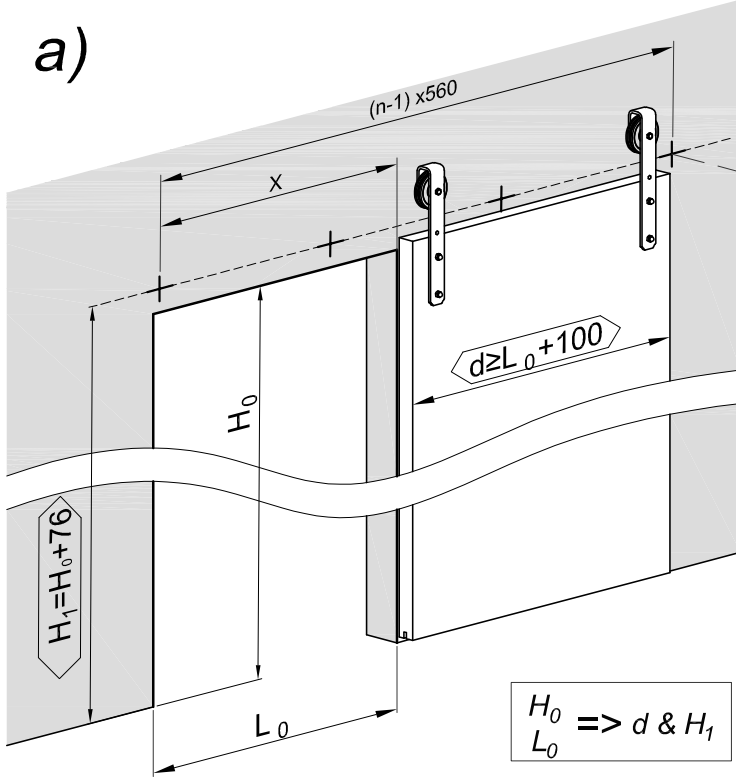
INSTRUCTION DE MONTAGE
MONTAGEANLEITUNG
INSTRUCTIONS FOR ASSEMBLY
INSTRUCCIONES DE MONTAJE

ROC DESIGN RD-A-B / RD-A-C

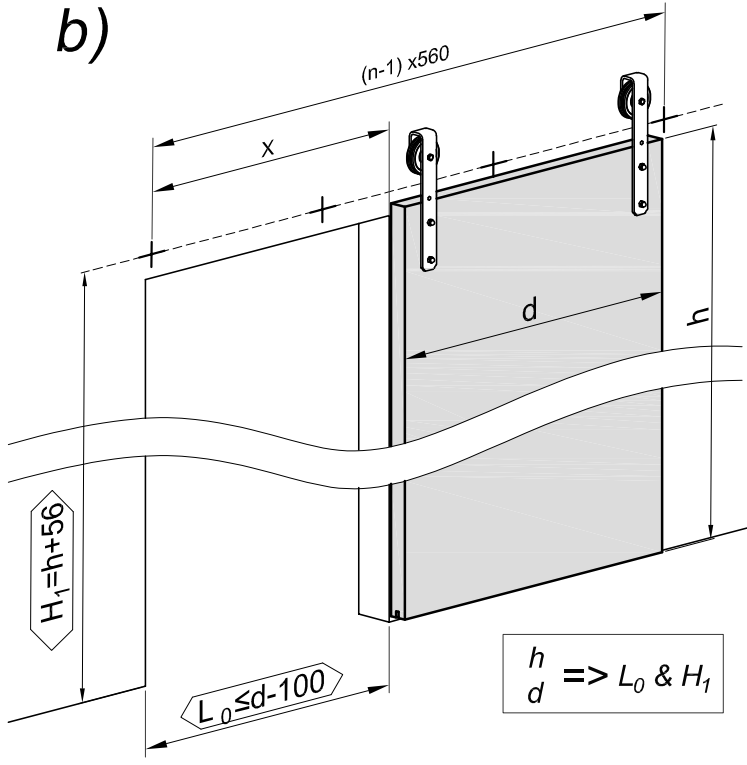
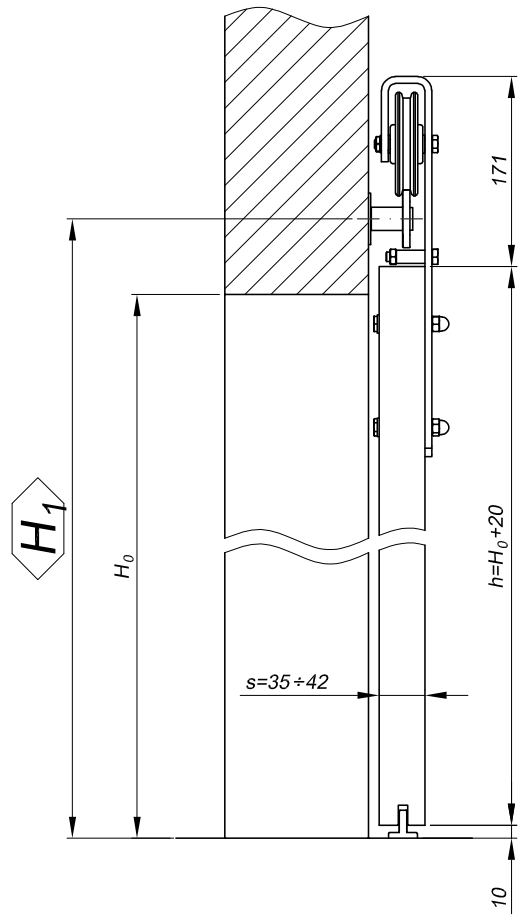




1



L_{Track} [mm]	1950	2400
X [mm]	840	1120
n	4	5

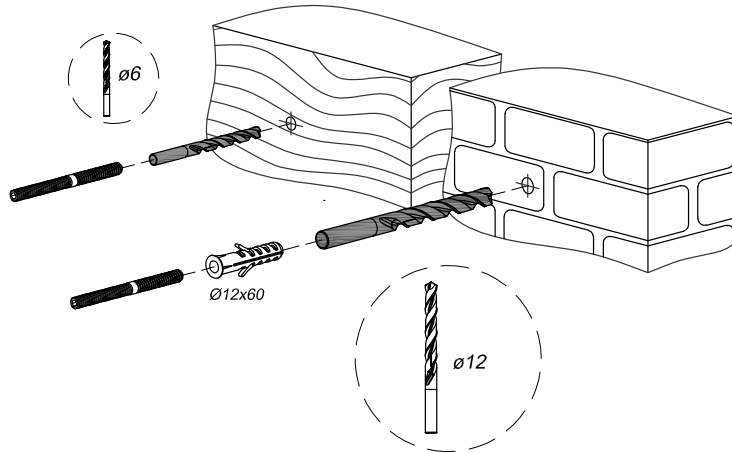
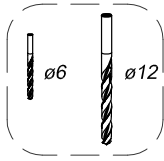


NM_RD_008

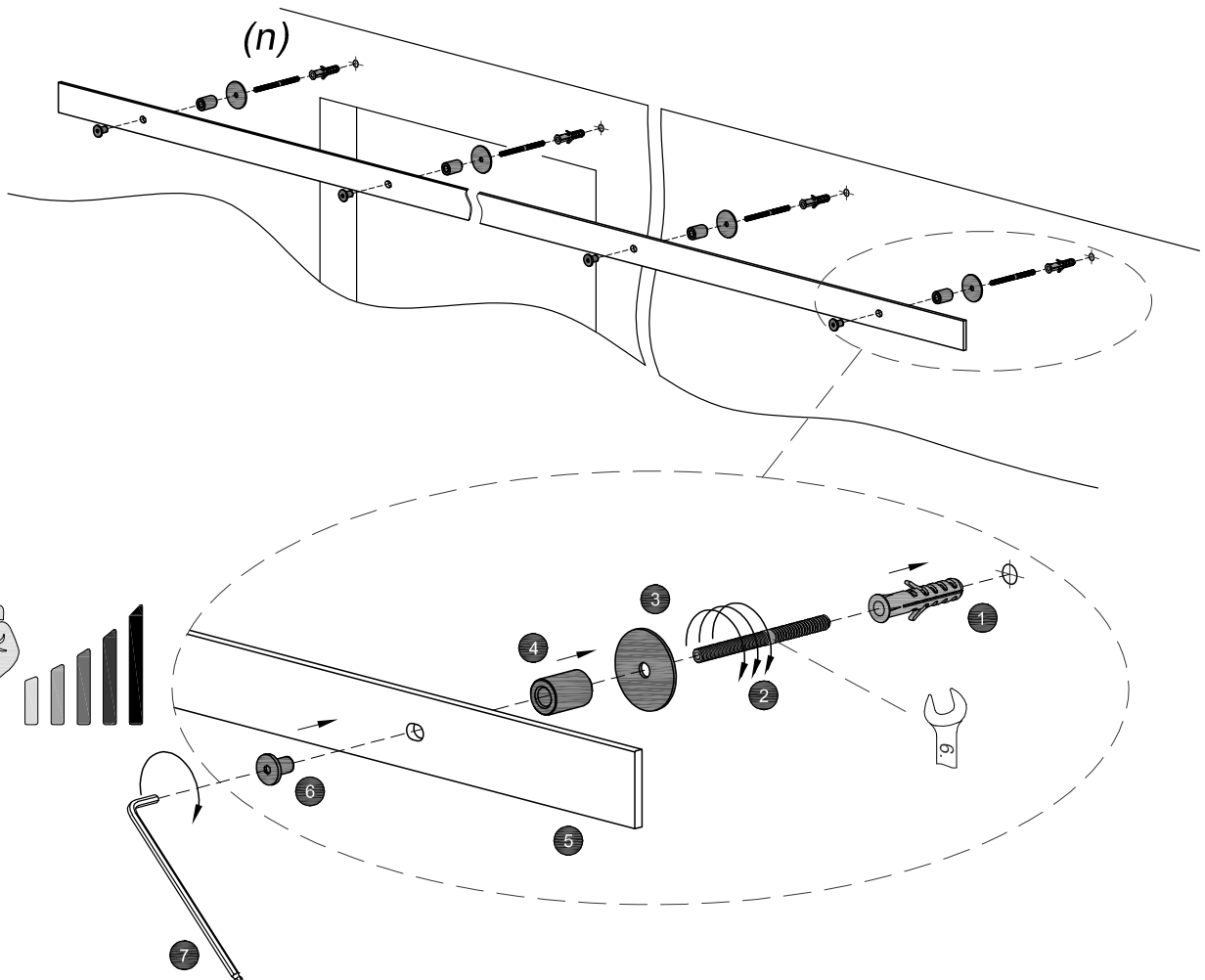
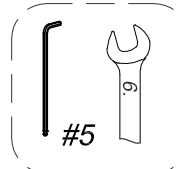
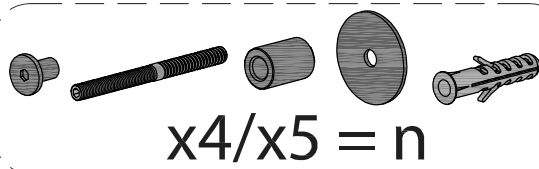
$H_1 = H_0 + 81$
 $H_1 = h + 61$



2

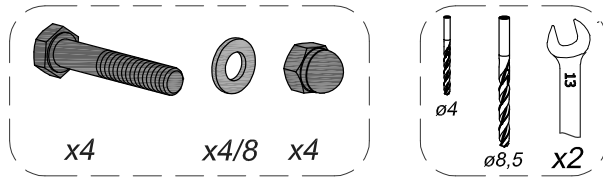


3

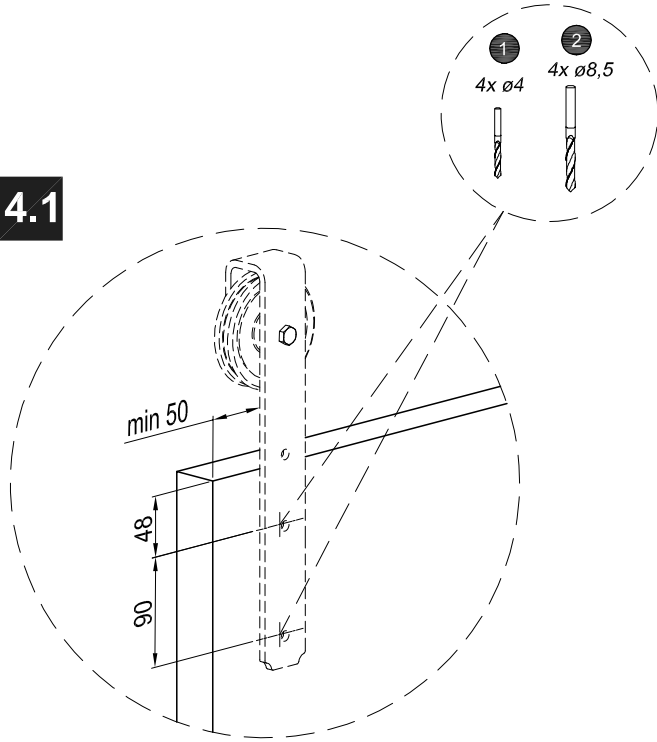




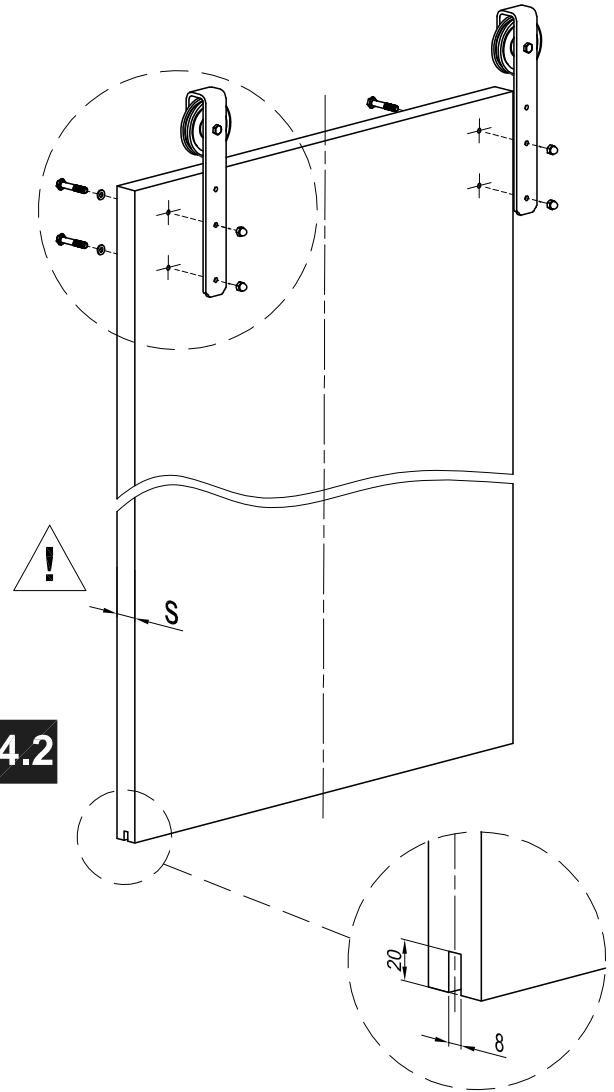
4



4.1



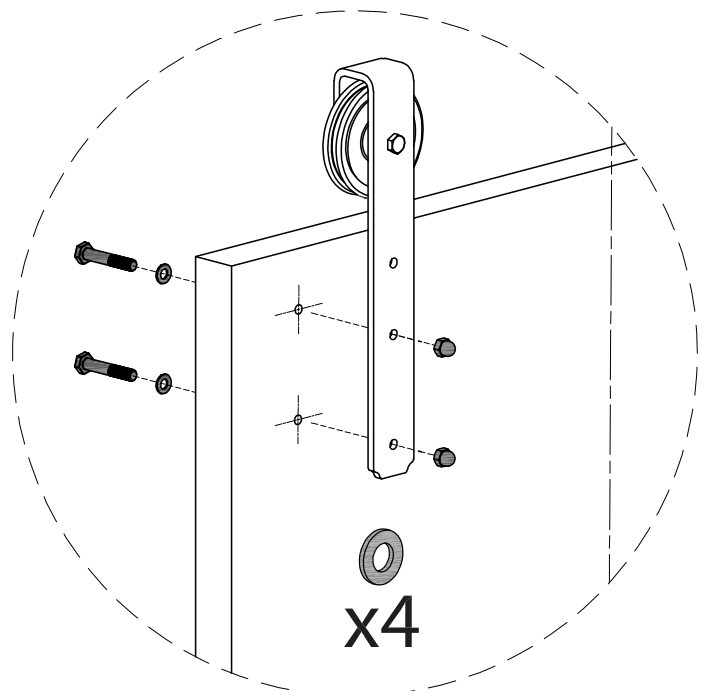
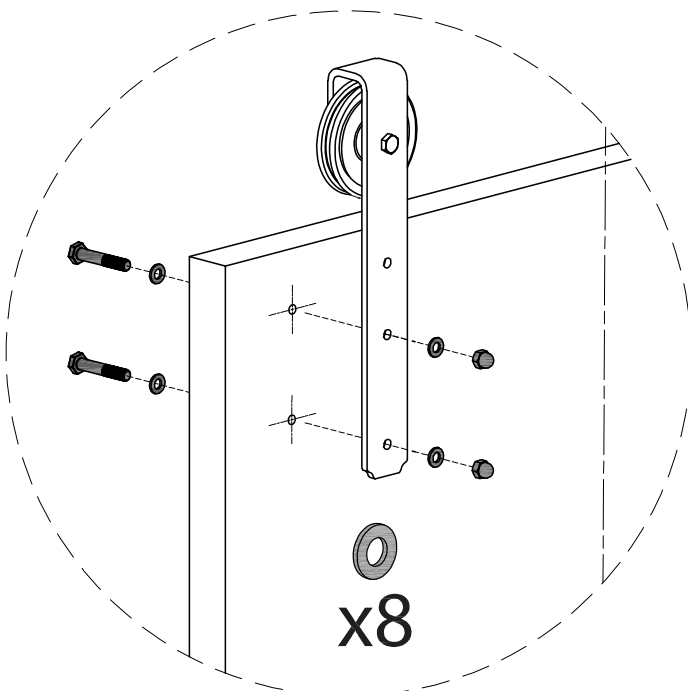
4.2

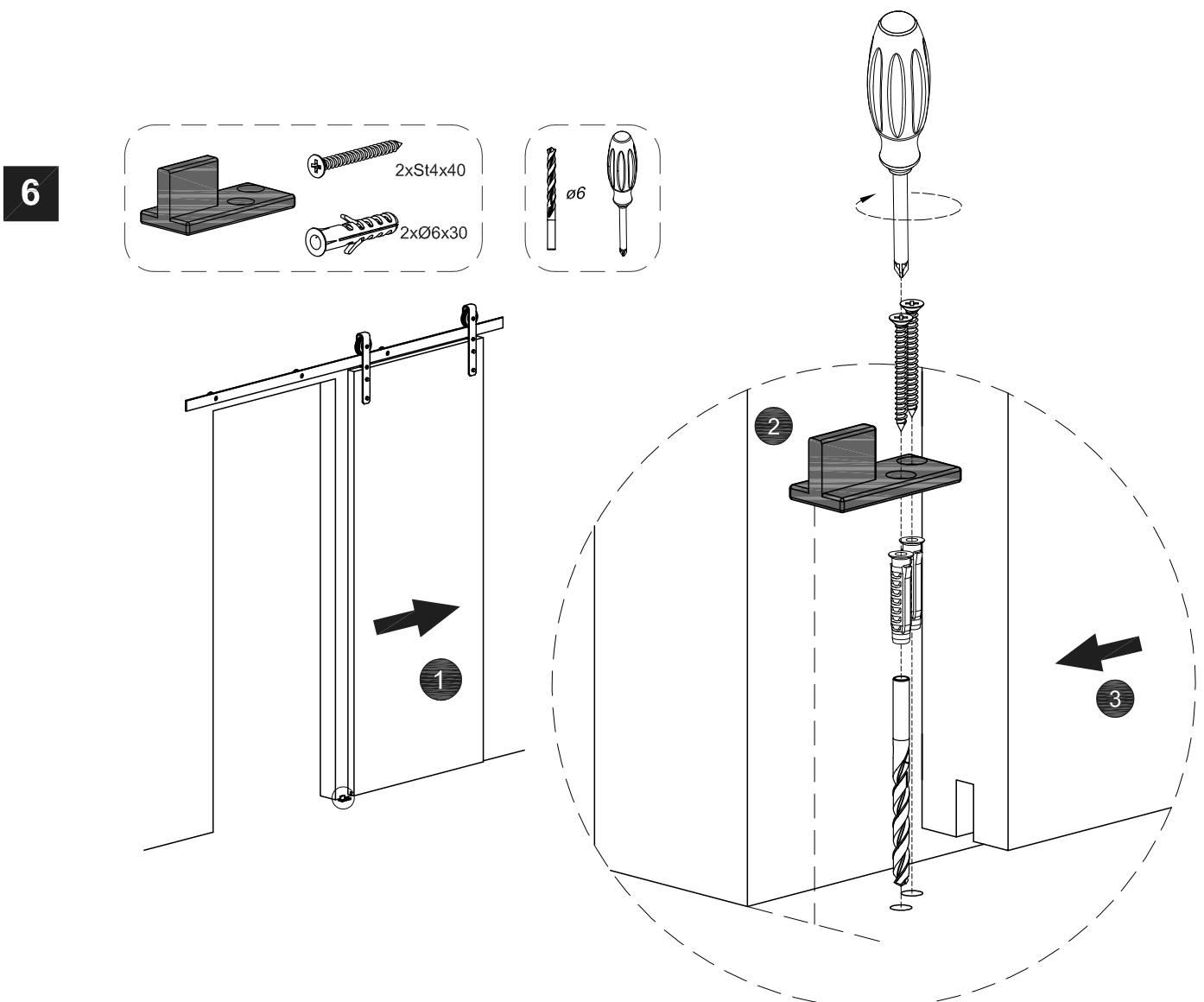
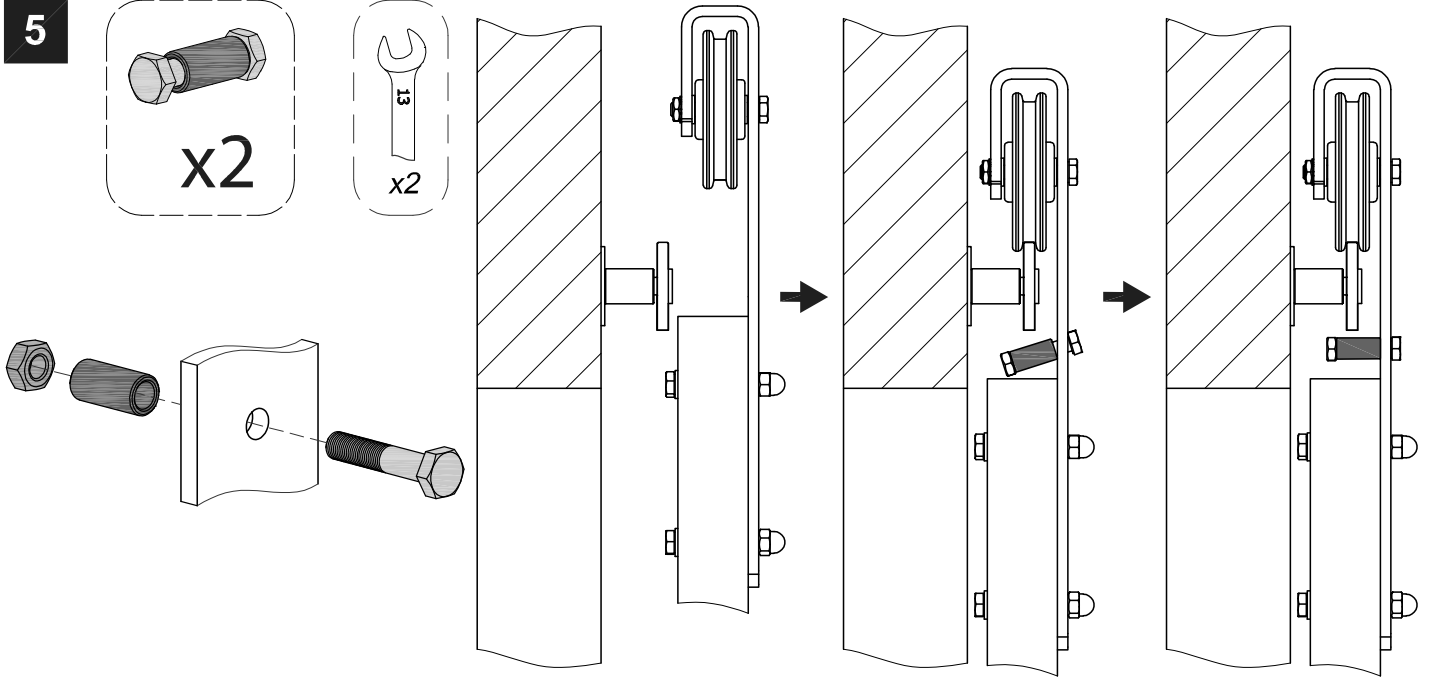


4.3

! $35 < s < 38$

$38 \leq s < 42$

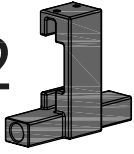




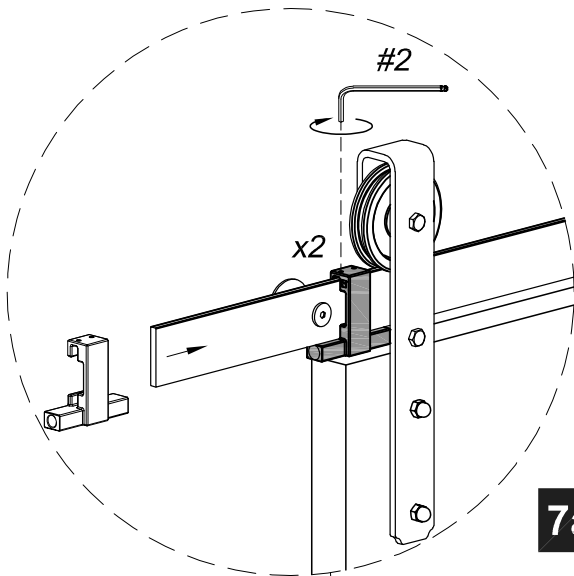
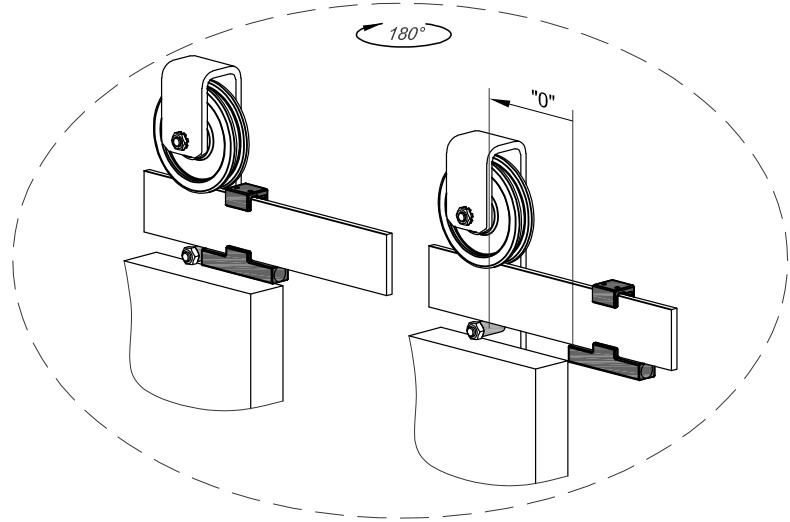


7

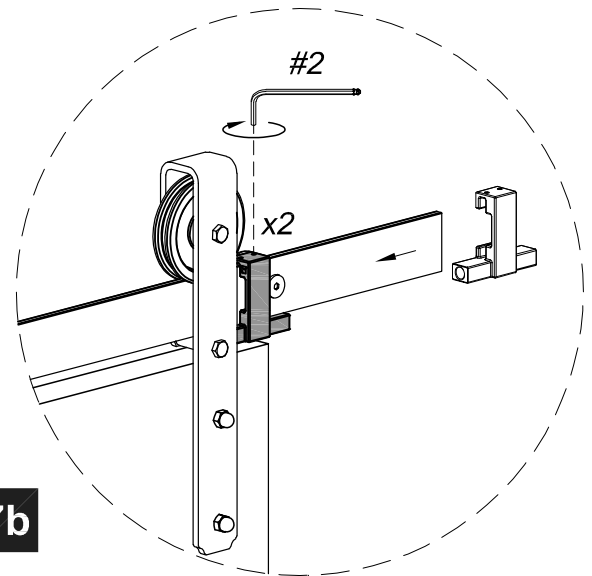
x2



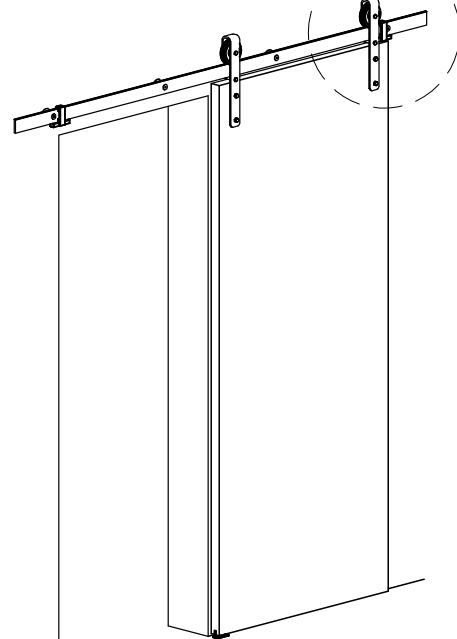
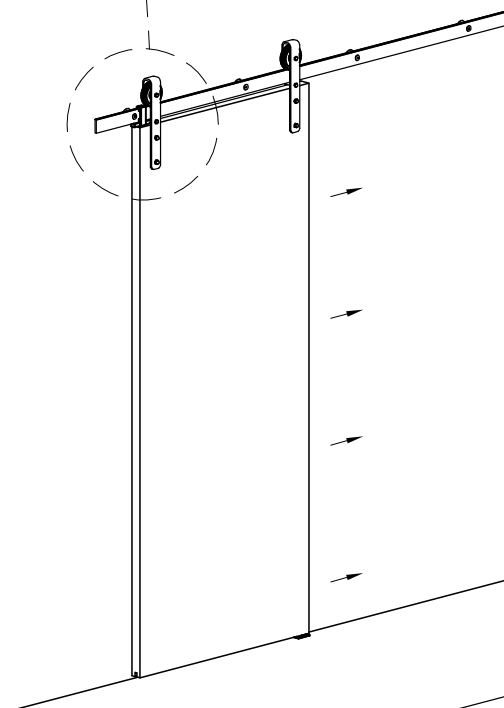
#2

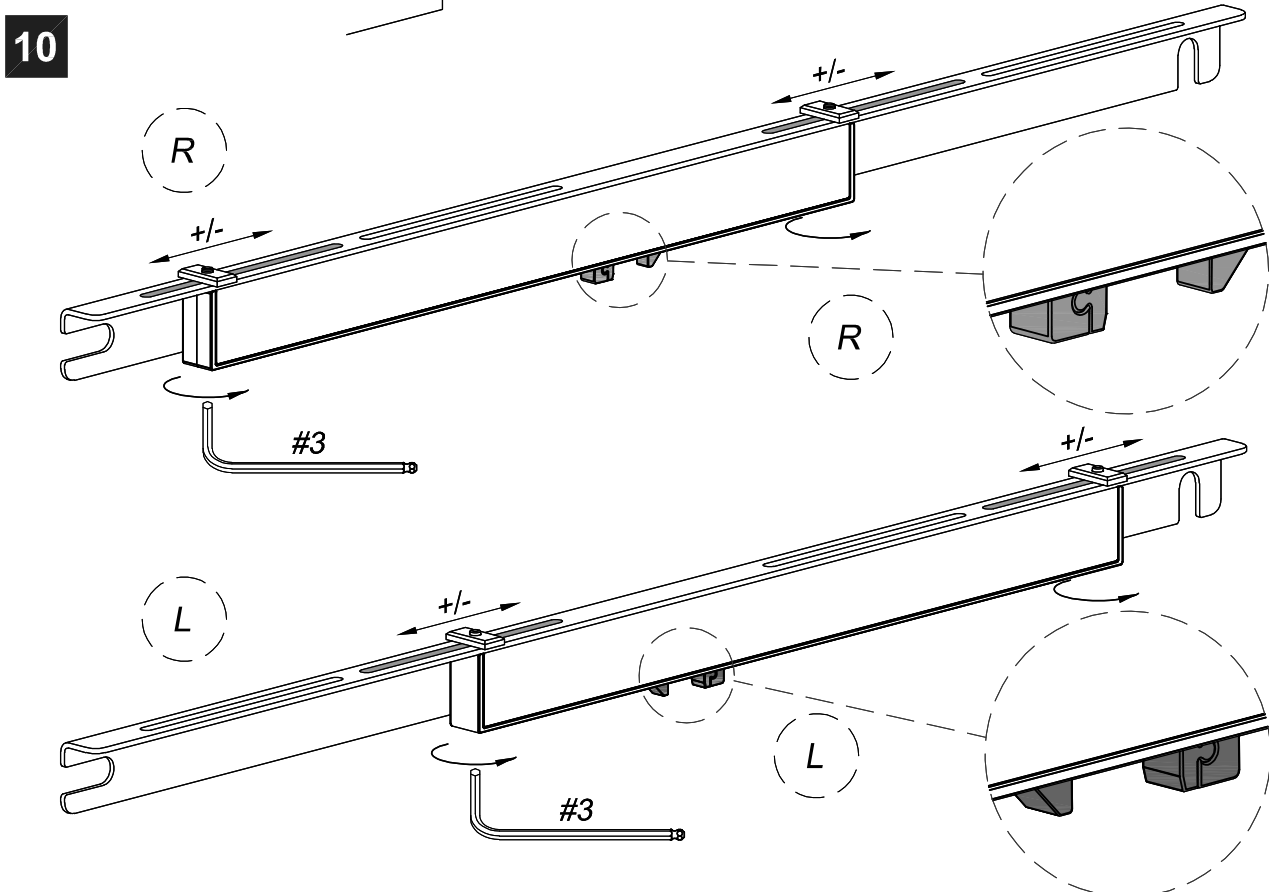
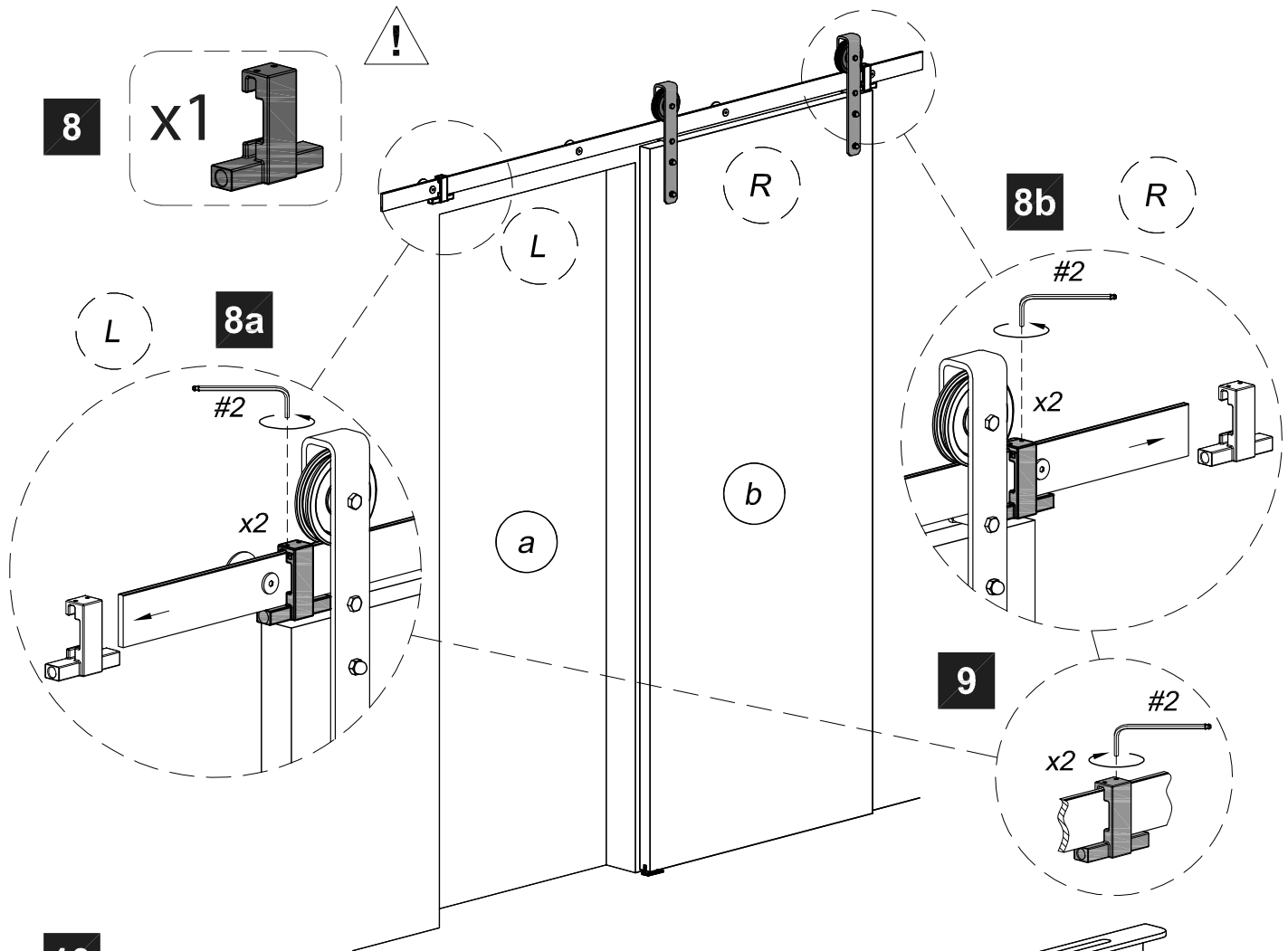


7a



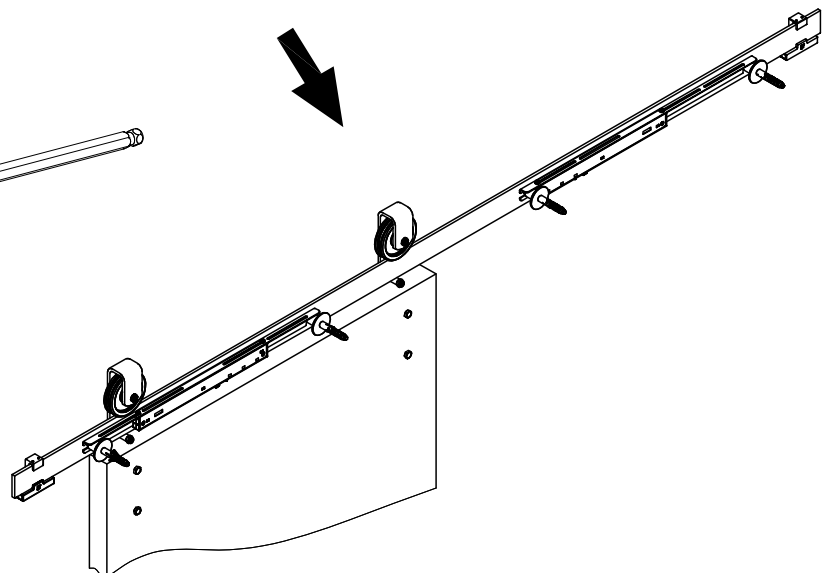
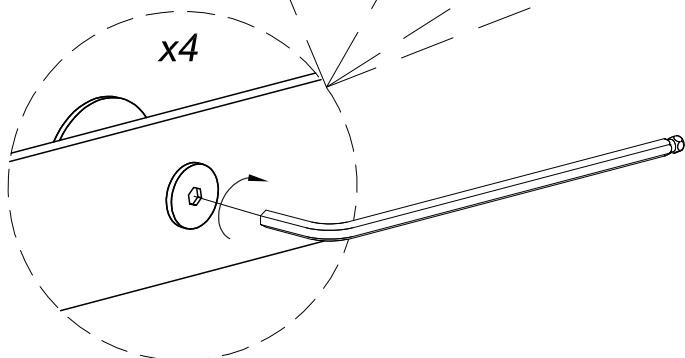
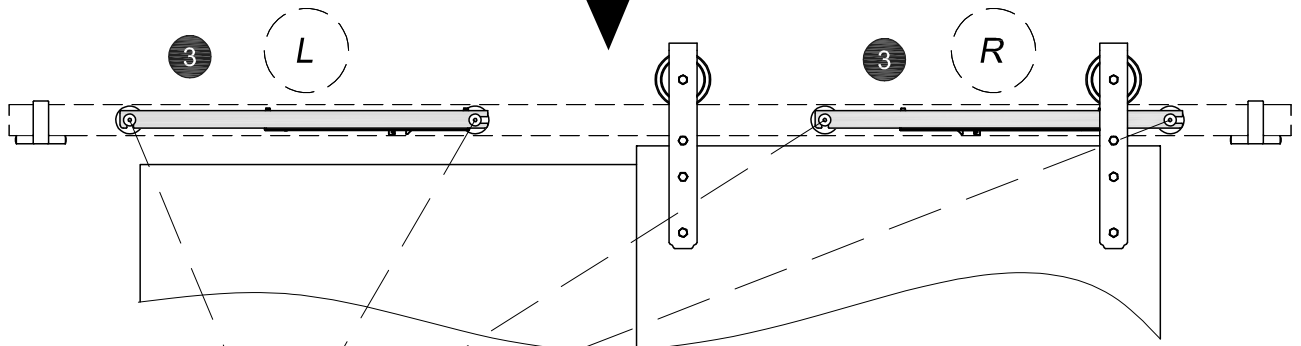
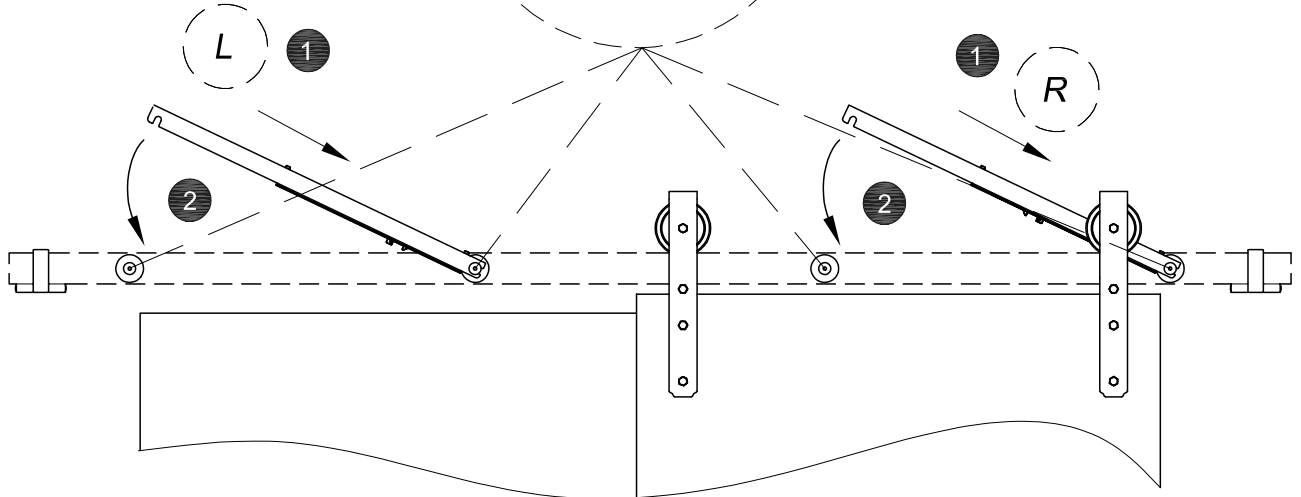
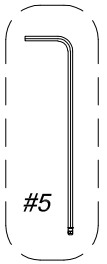
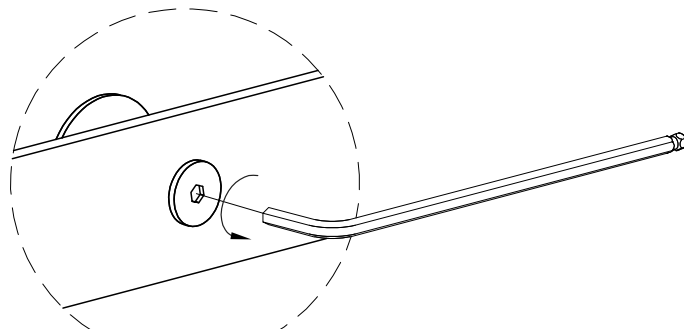
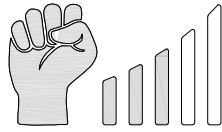
7b





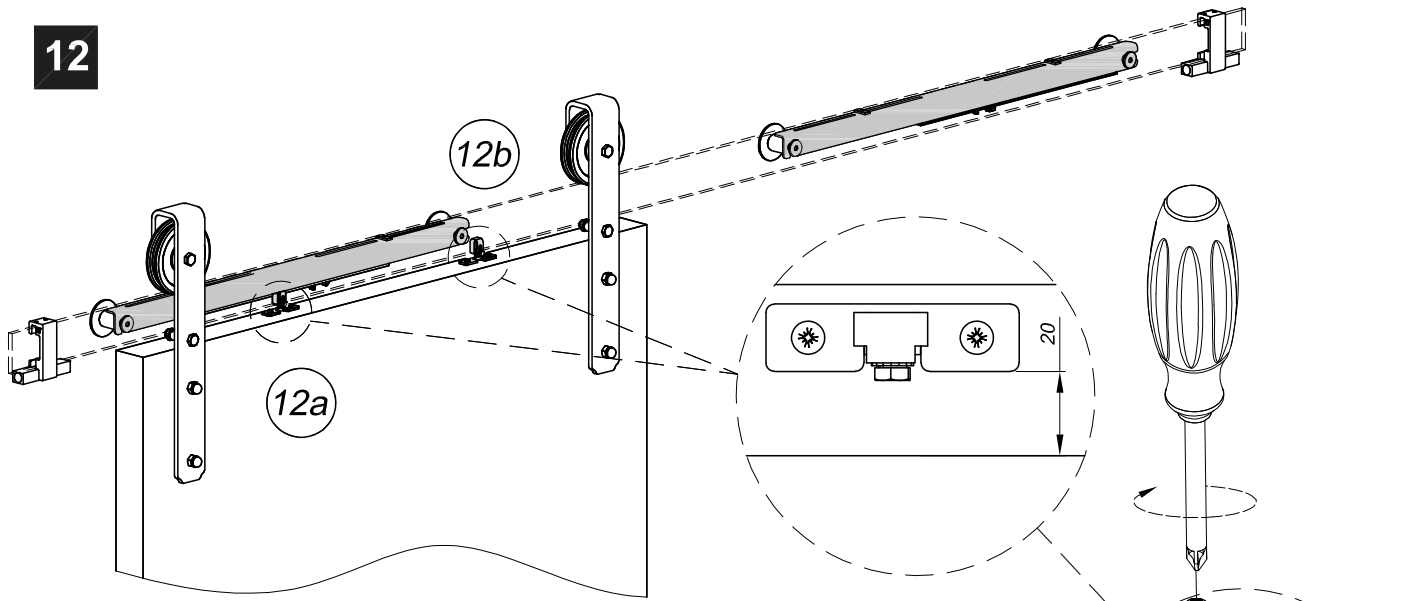


11

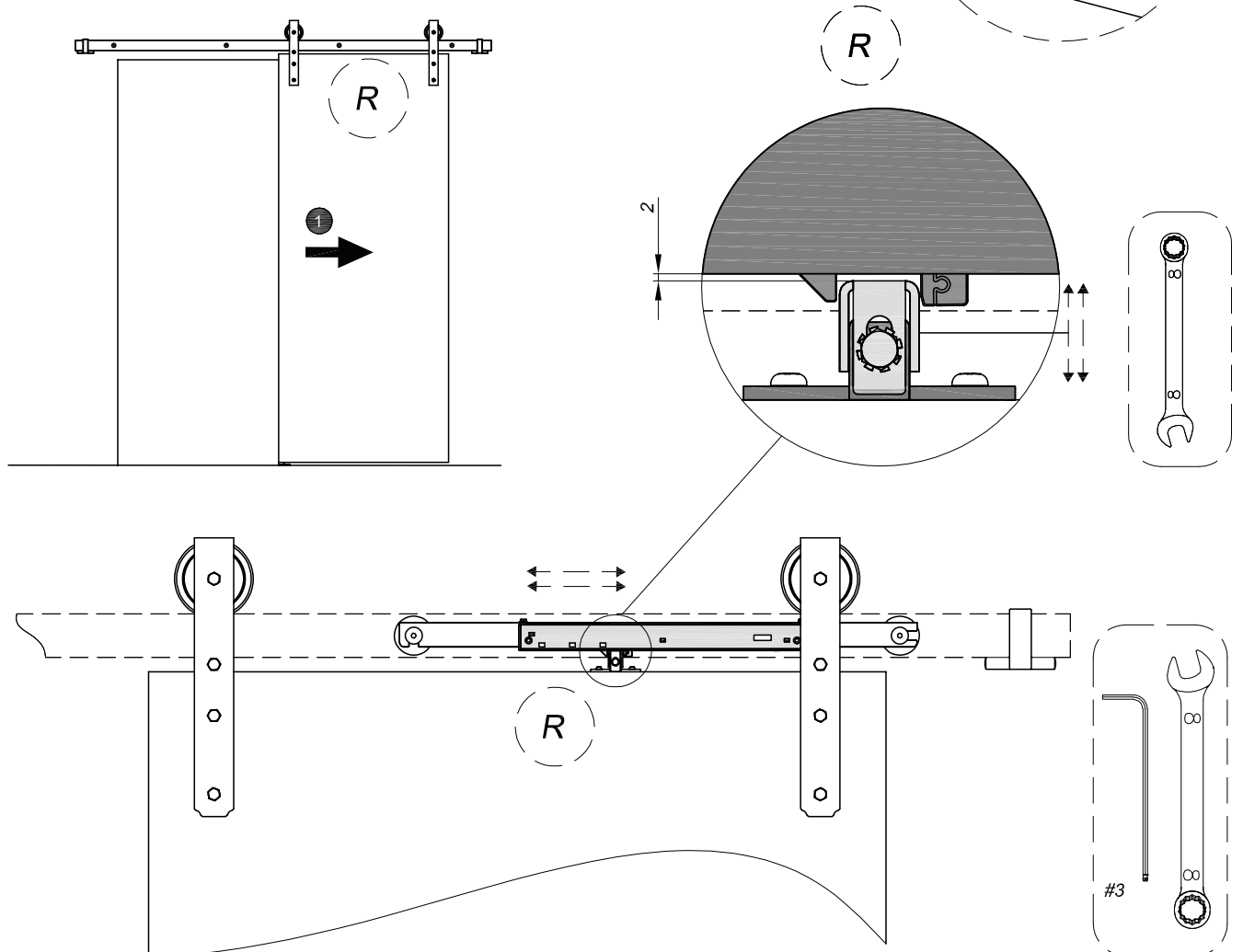




12



12a





12b

