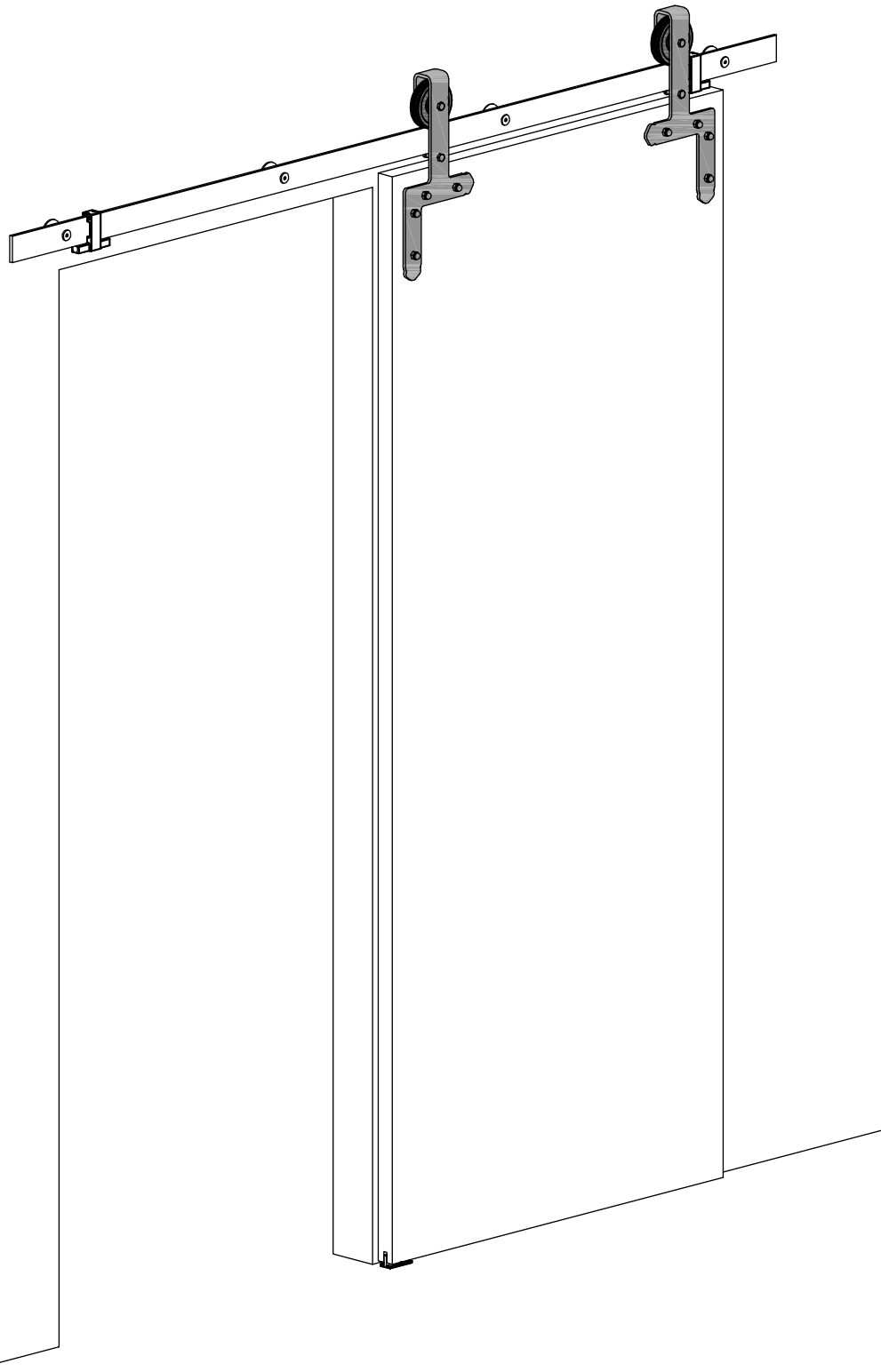
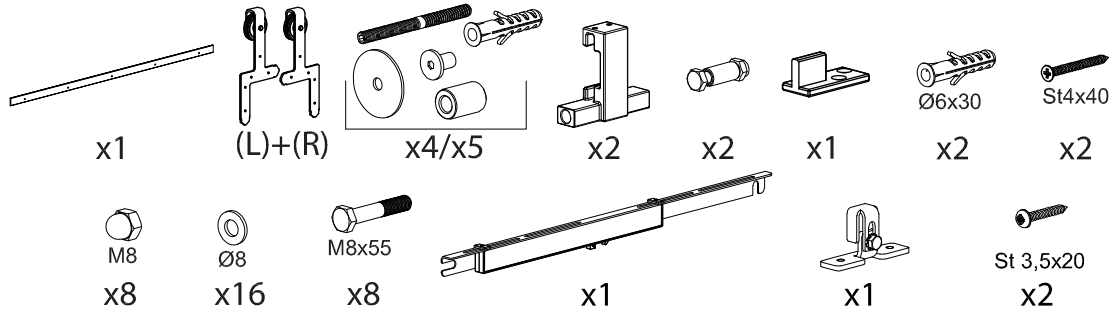




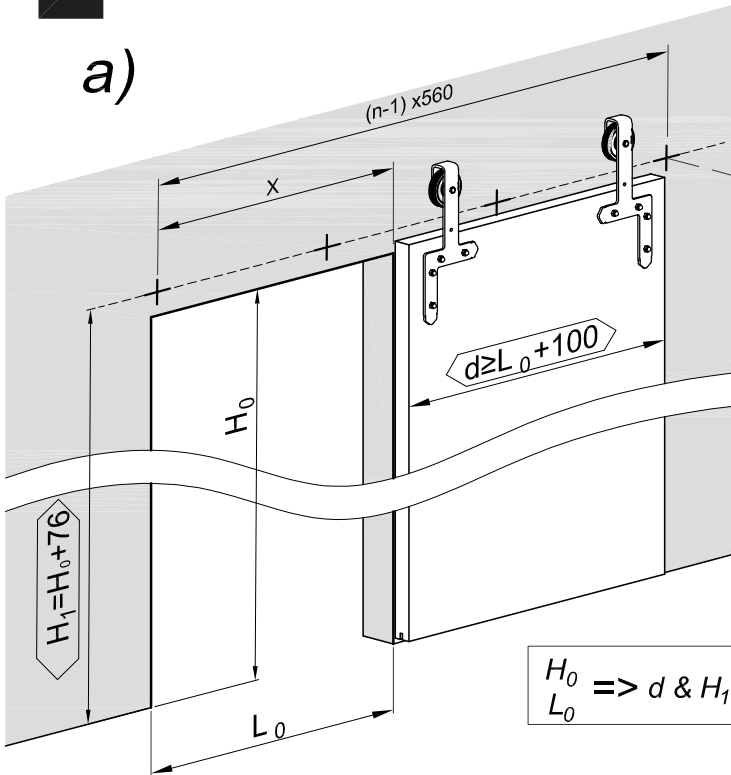
INSTRUCTION DE MONTAGE
MONTAGEANLEITUNG
INSTRUCTIONS FOR ASSEMBLY
INSTRUCCIONES DE MONTAJE

ROC DESIGN RD-D-B / RD-D-C

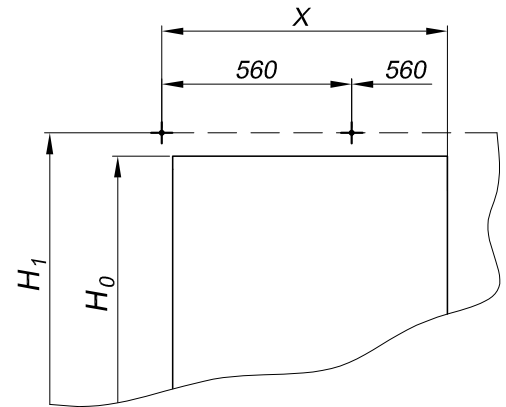




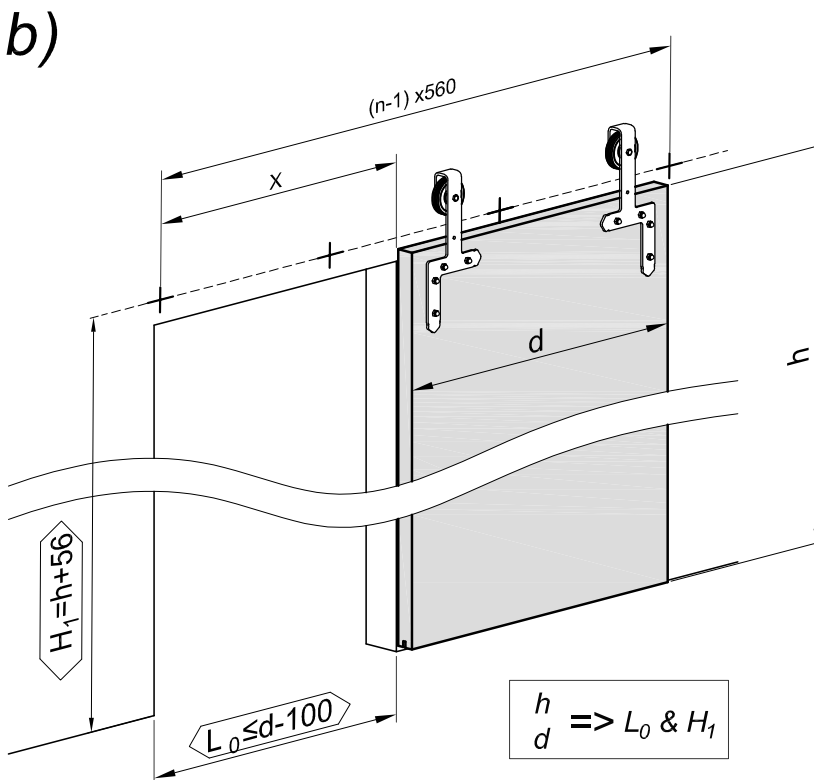
1



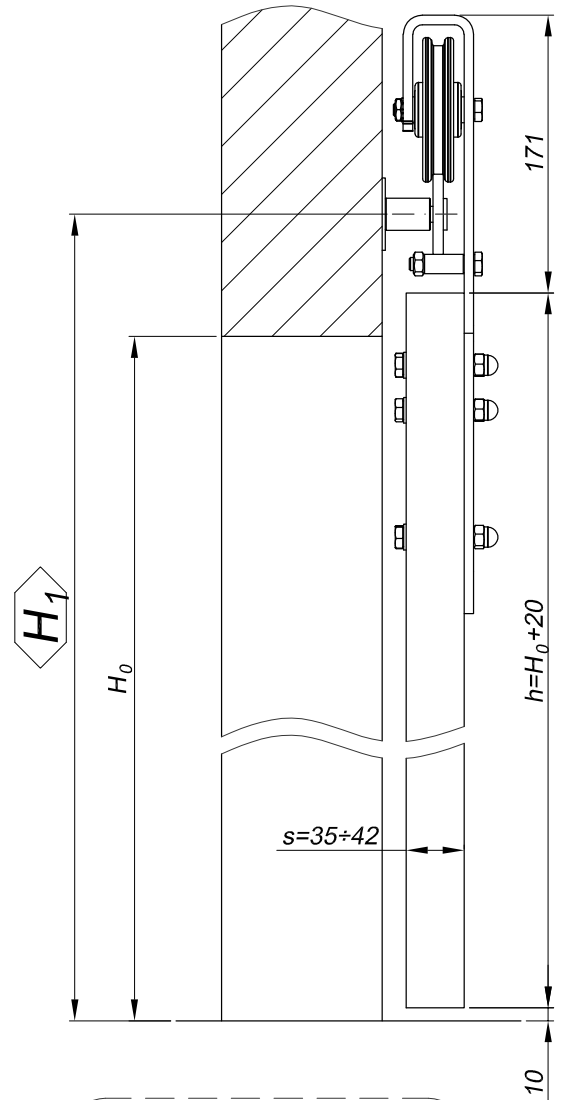
L_{Track} [mm]	1950	2400
X [mm]	840	1120
n	4	5



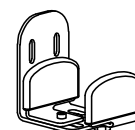
$H_0 \Rightarrow d \ \& \ H_1$
 L_0



$h \Rightarrow L_0 \ \& \ H_1$
 d



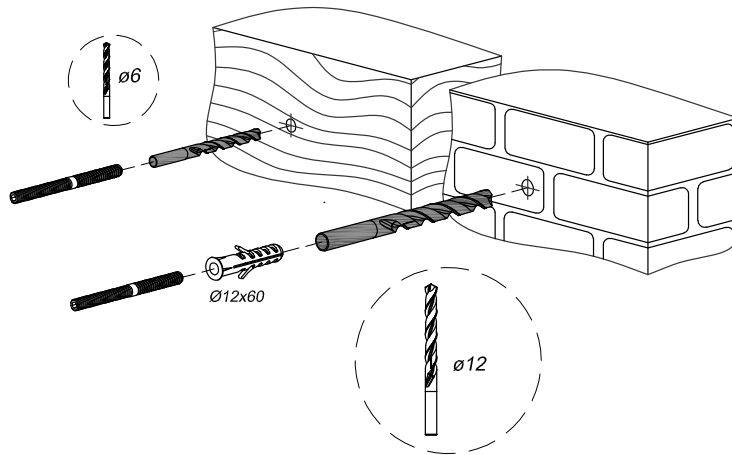
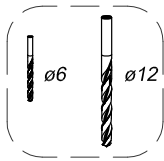
NM_RD_004



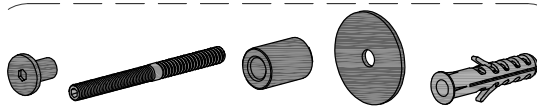
$H_1 = H_0 + 81$
 $H_1 = h + 61$



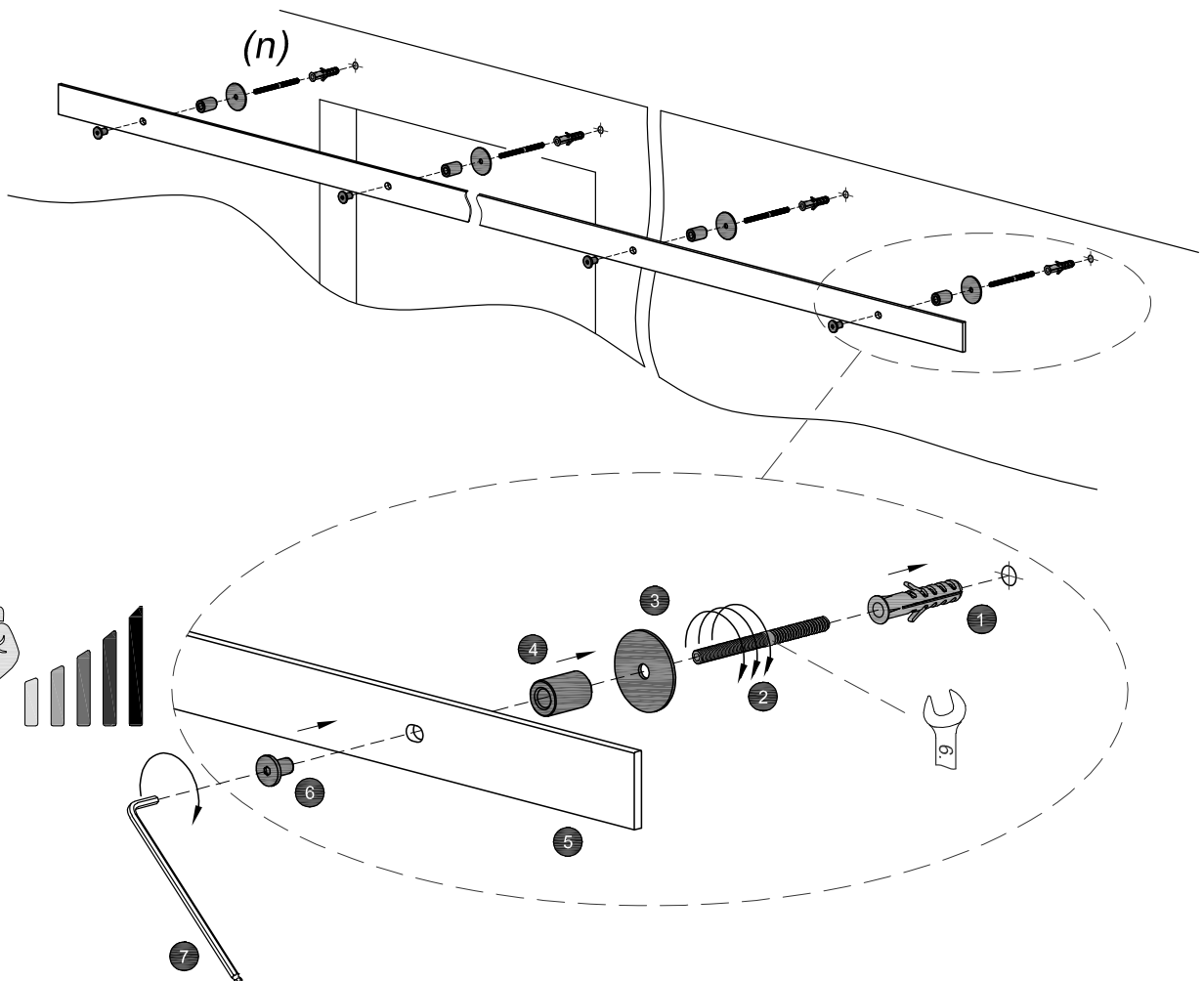
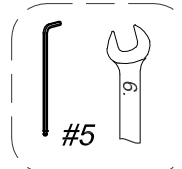
2



3

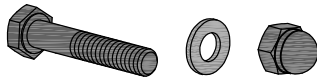


x4/x5 = n

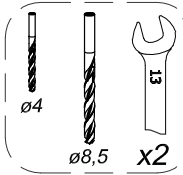




4

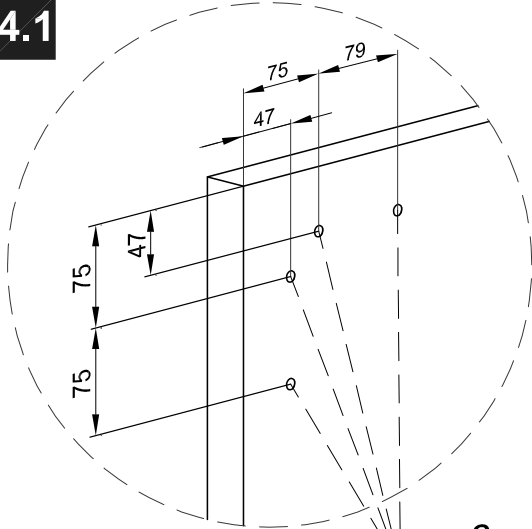


x8

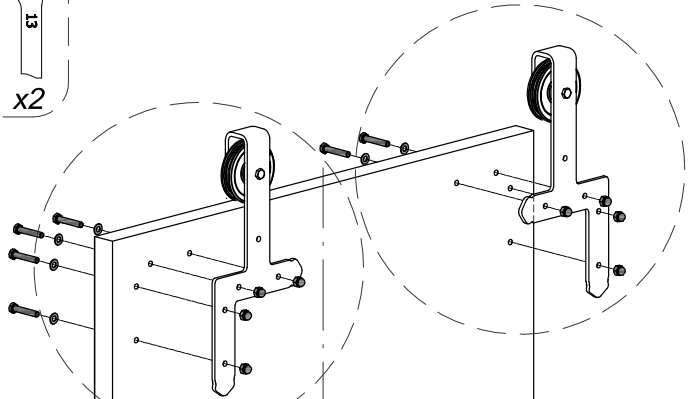
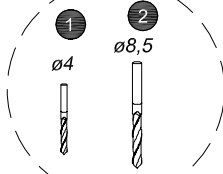


x2

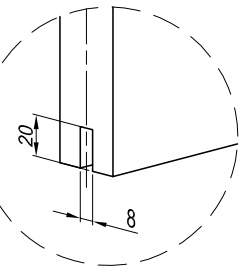
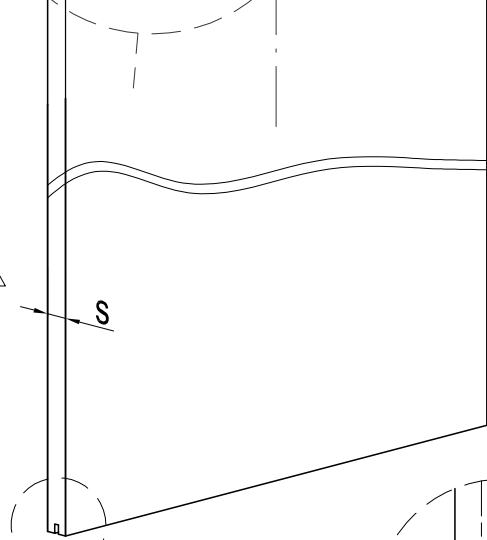
4.1



x8



4.2

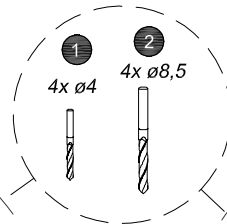


4.3

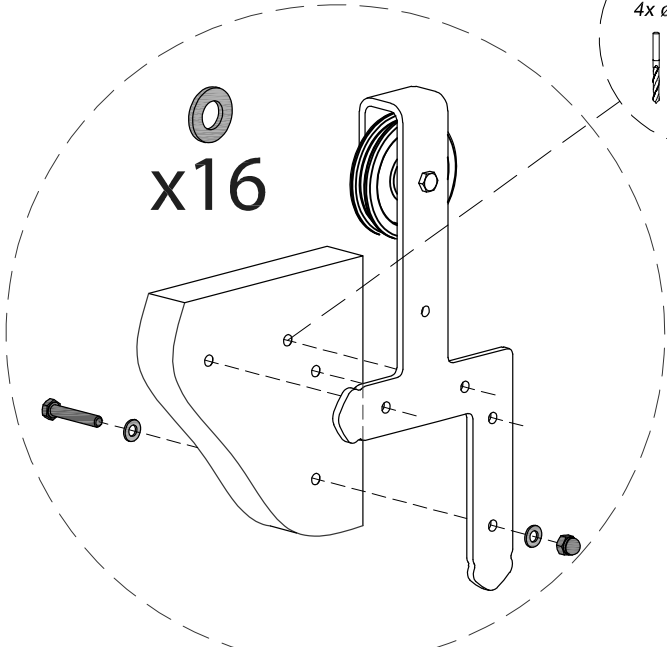


$35 < s < 38$

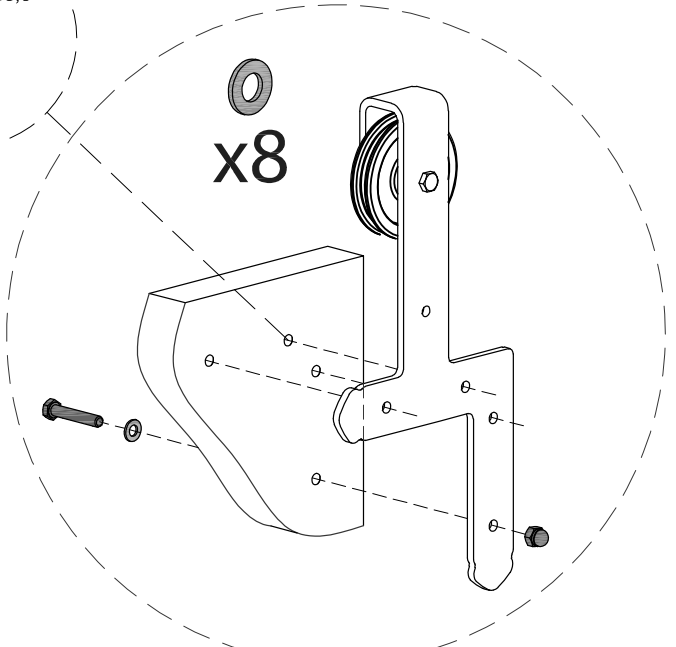
$38 \leq s < 42$



x16

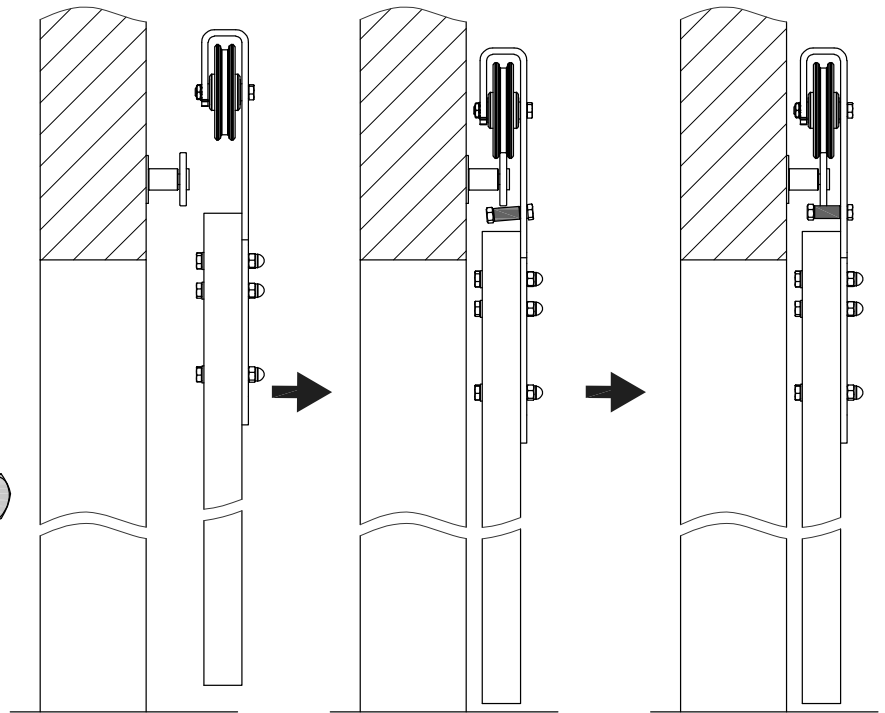
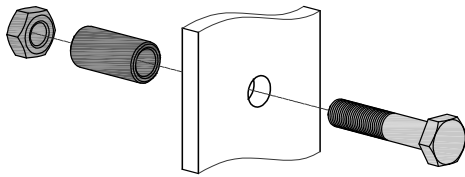
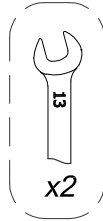
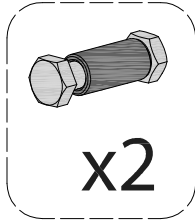


x8

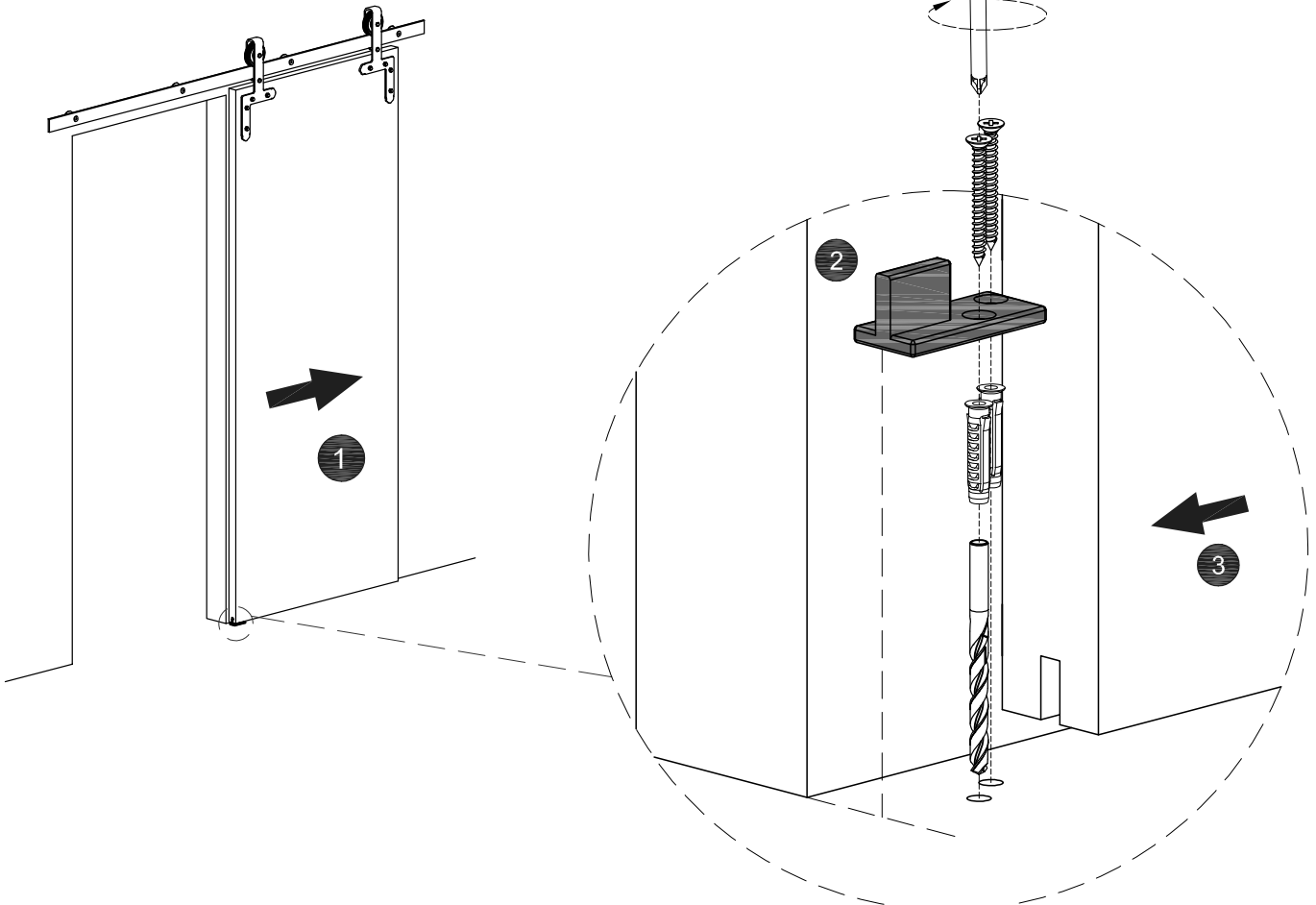
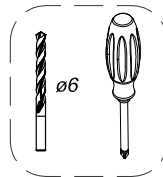
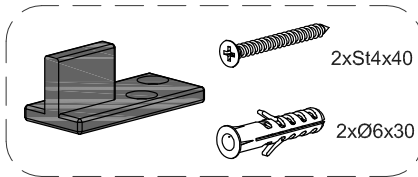




5



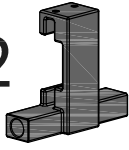
6



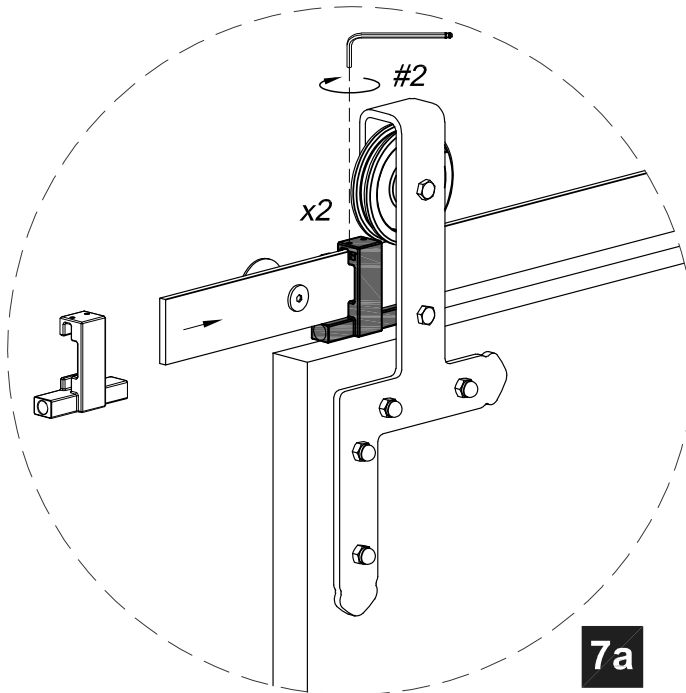
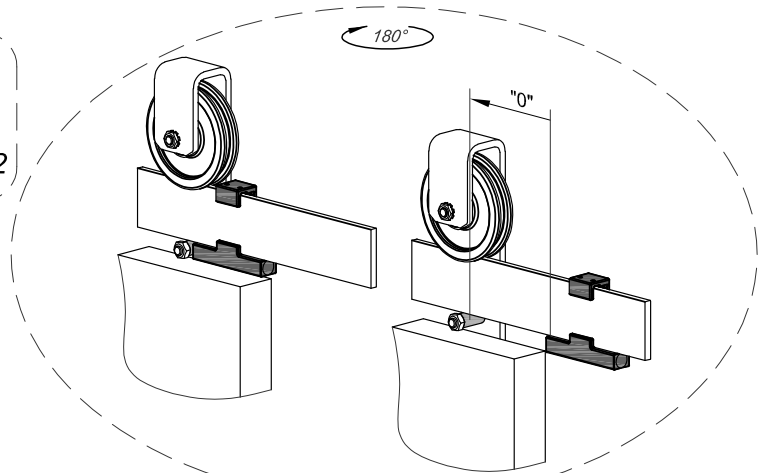
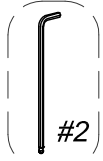


7

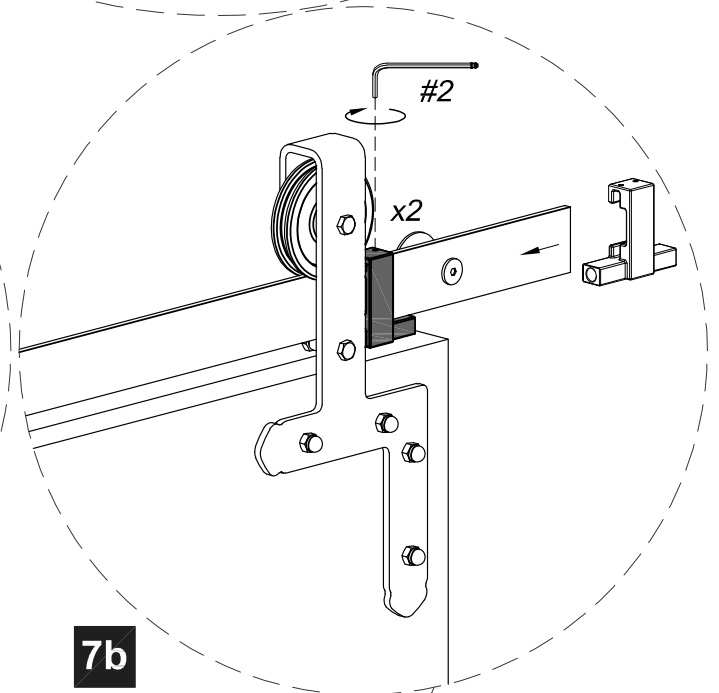
x2



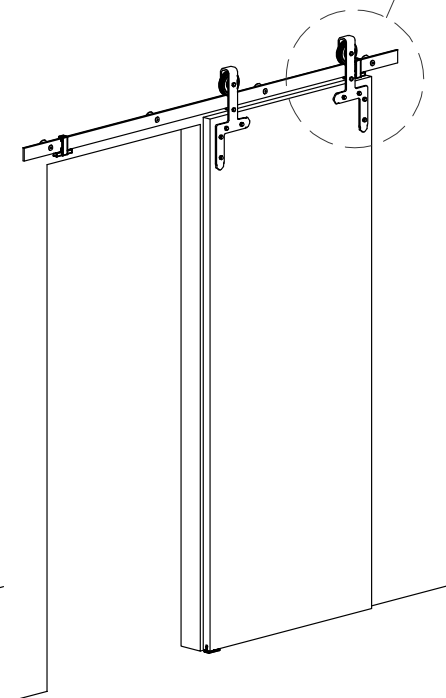
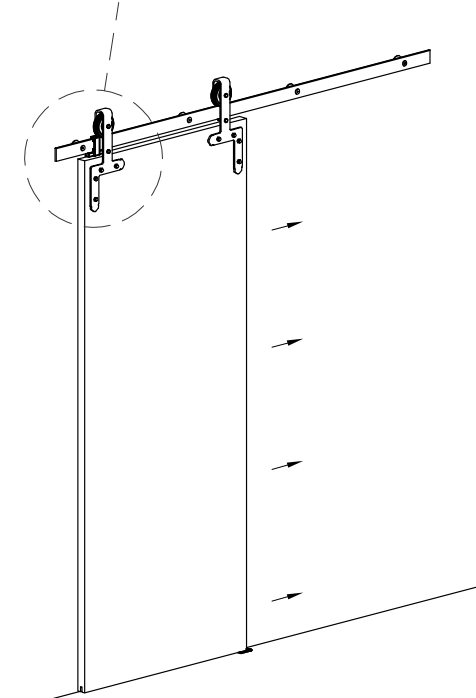
#2

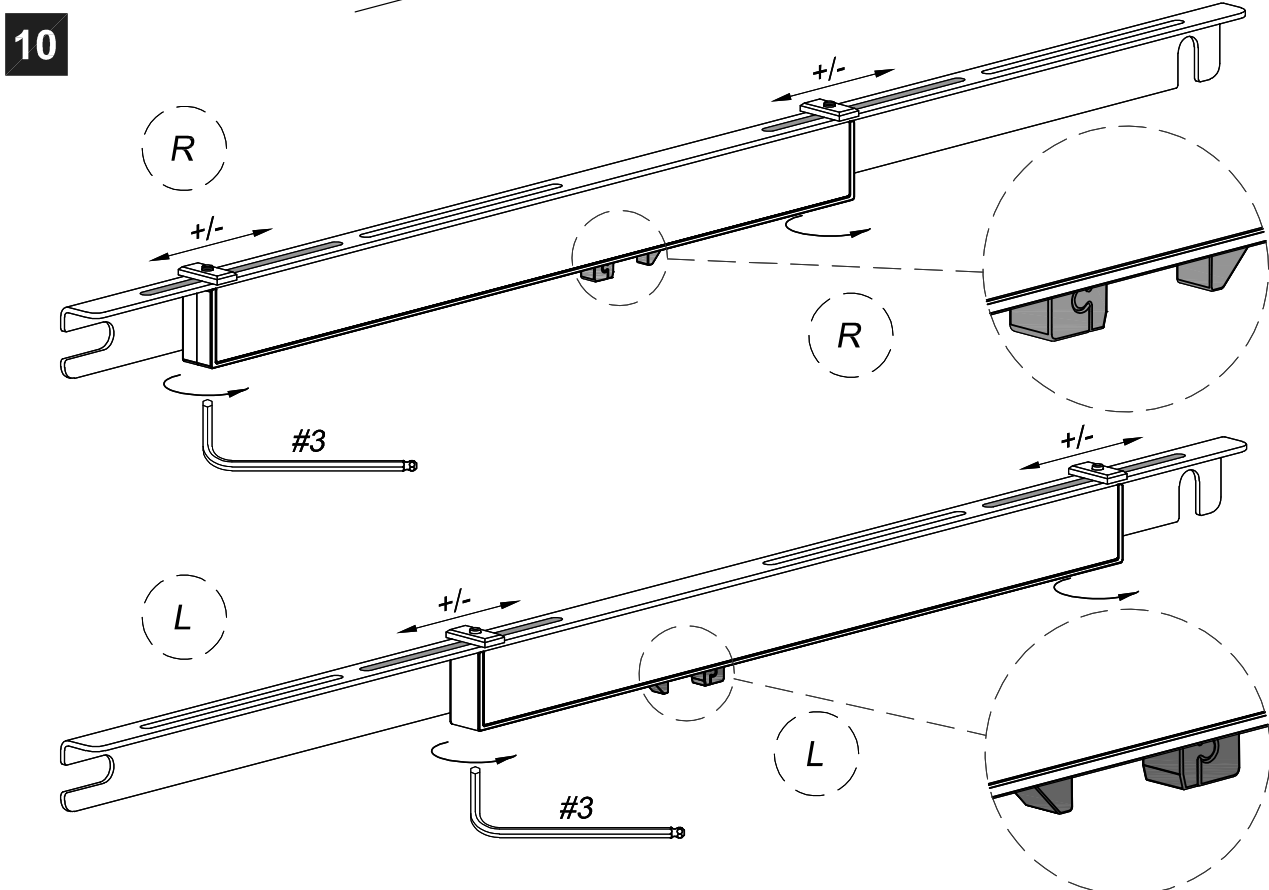
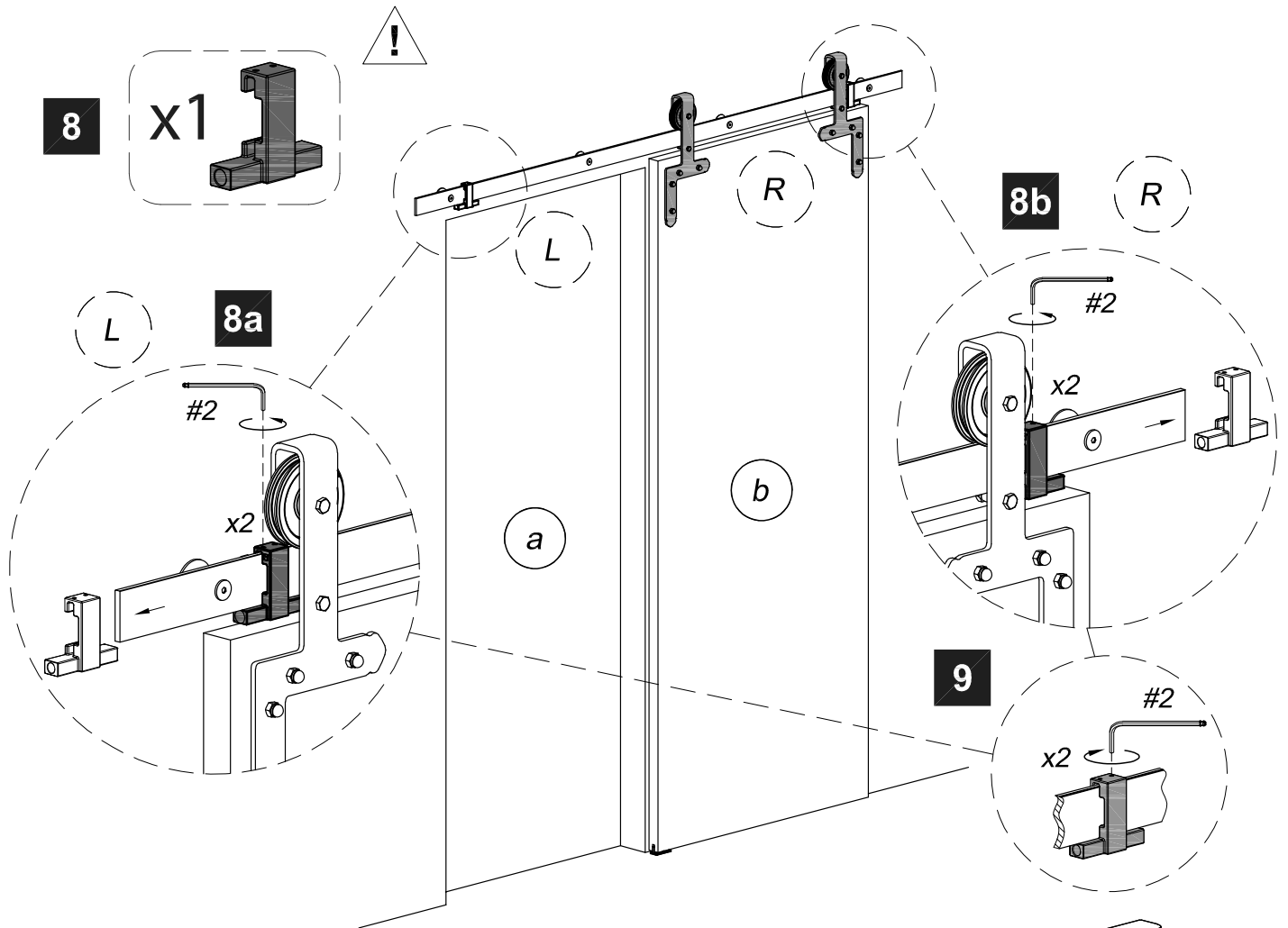


7a



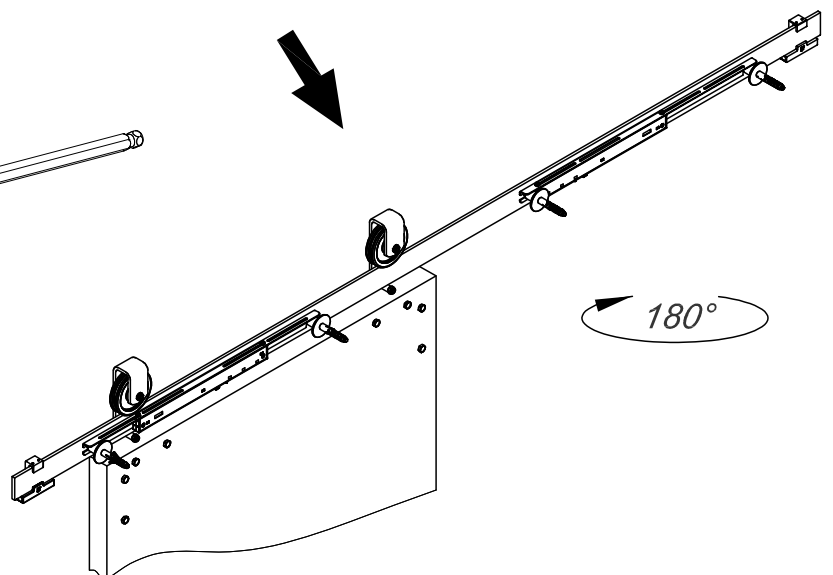
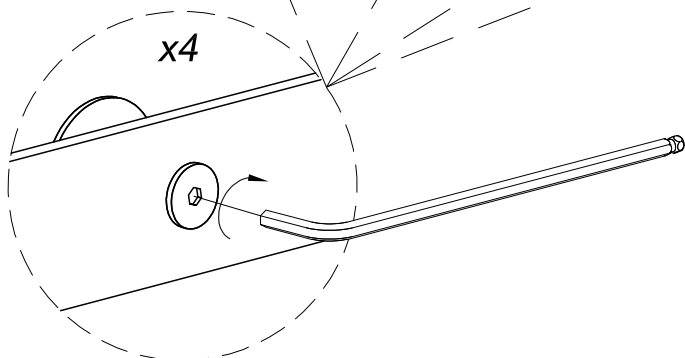
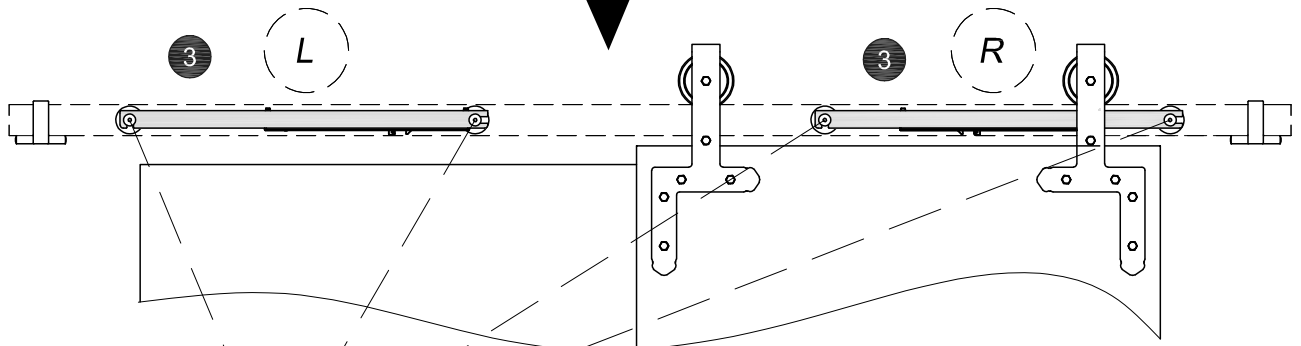
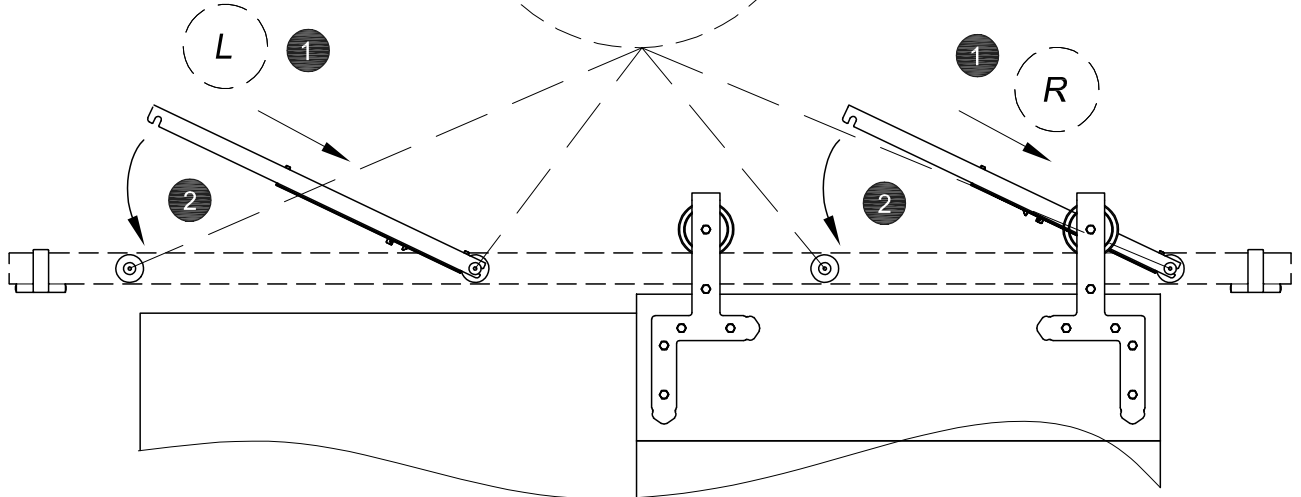
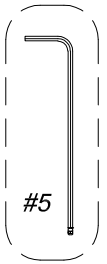
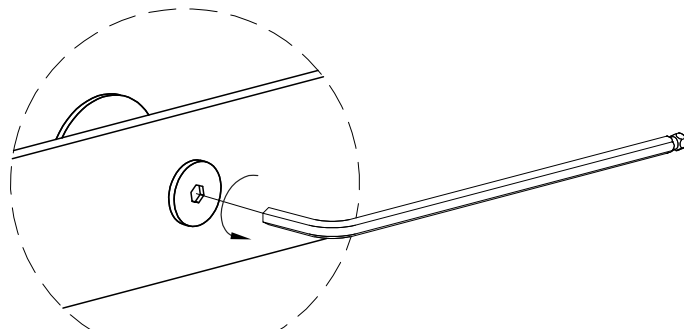
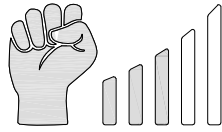
7b





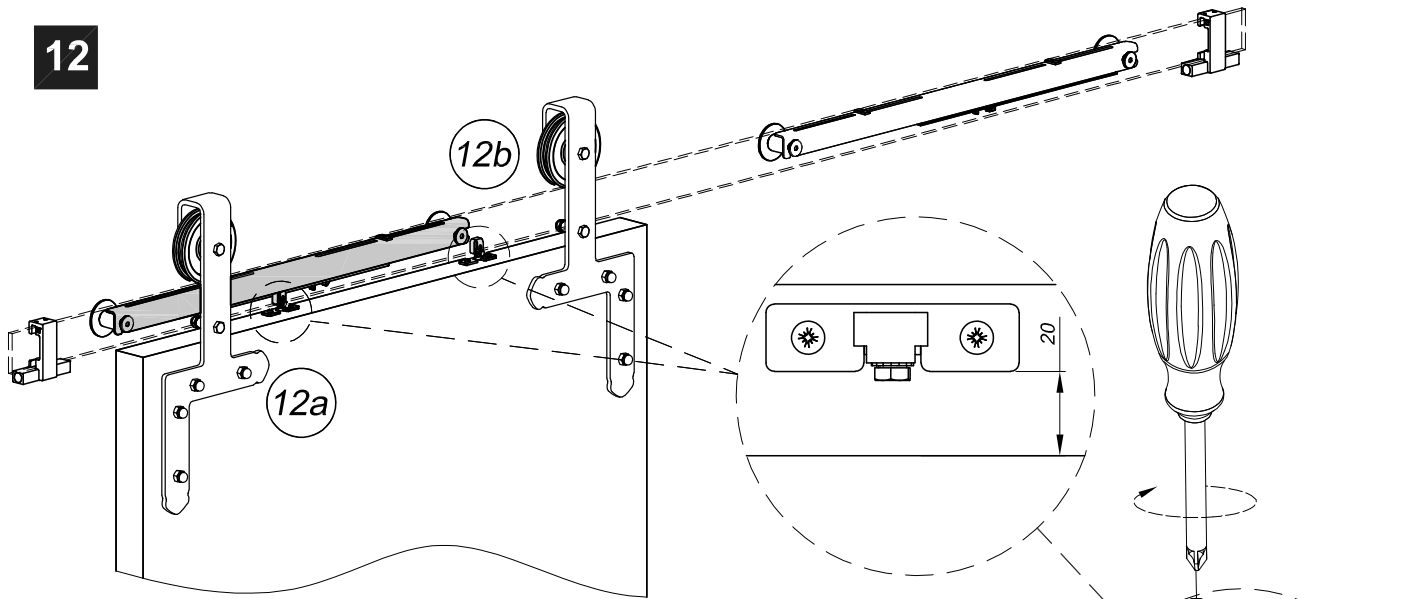


11

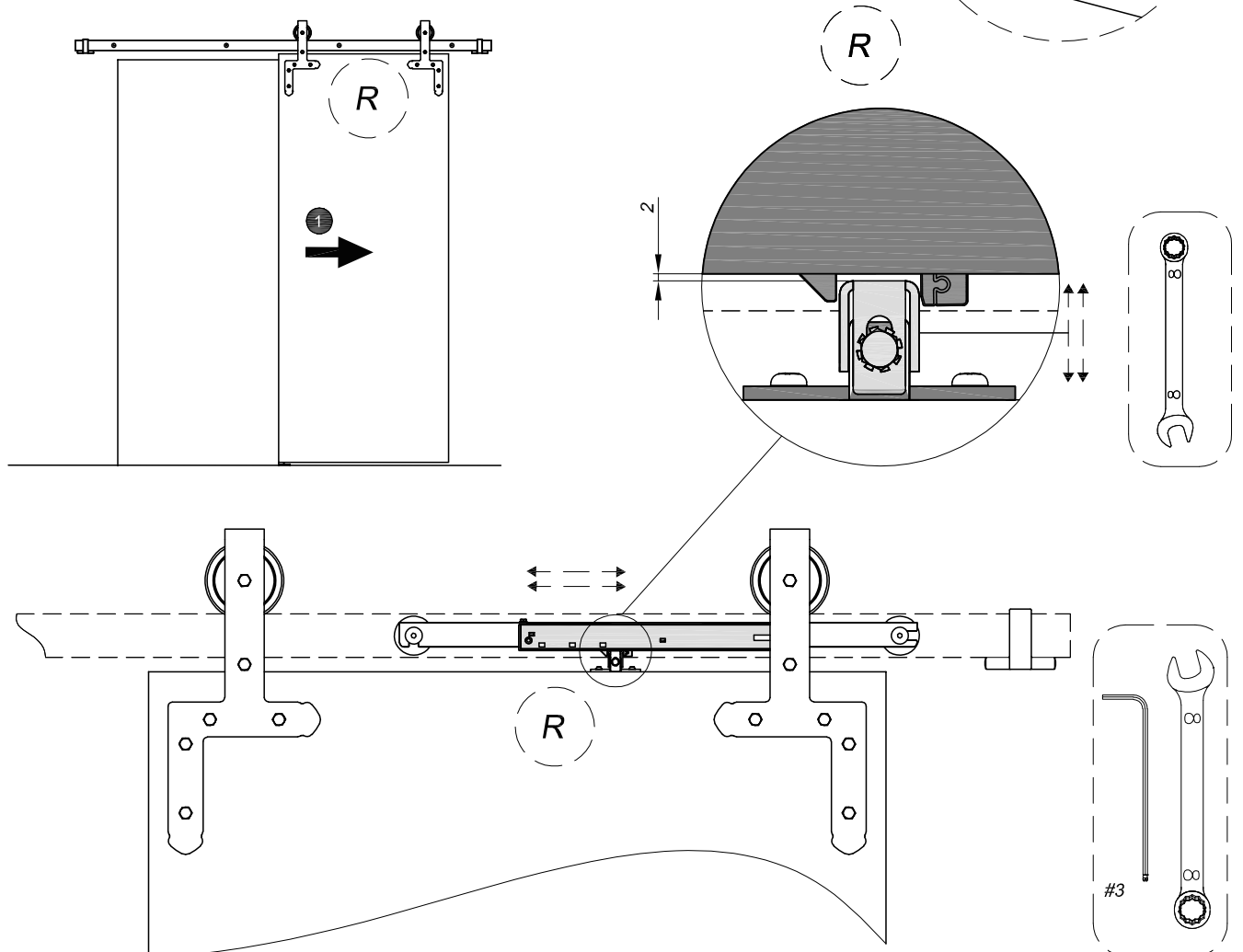




12



12a





12b

