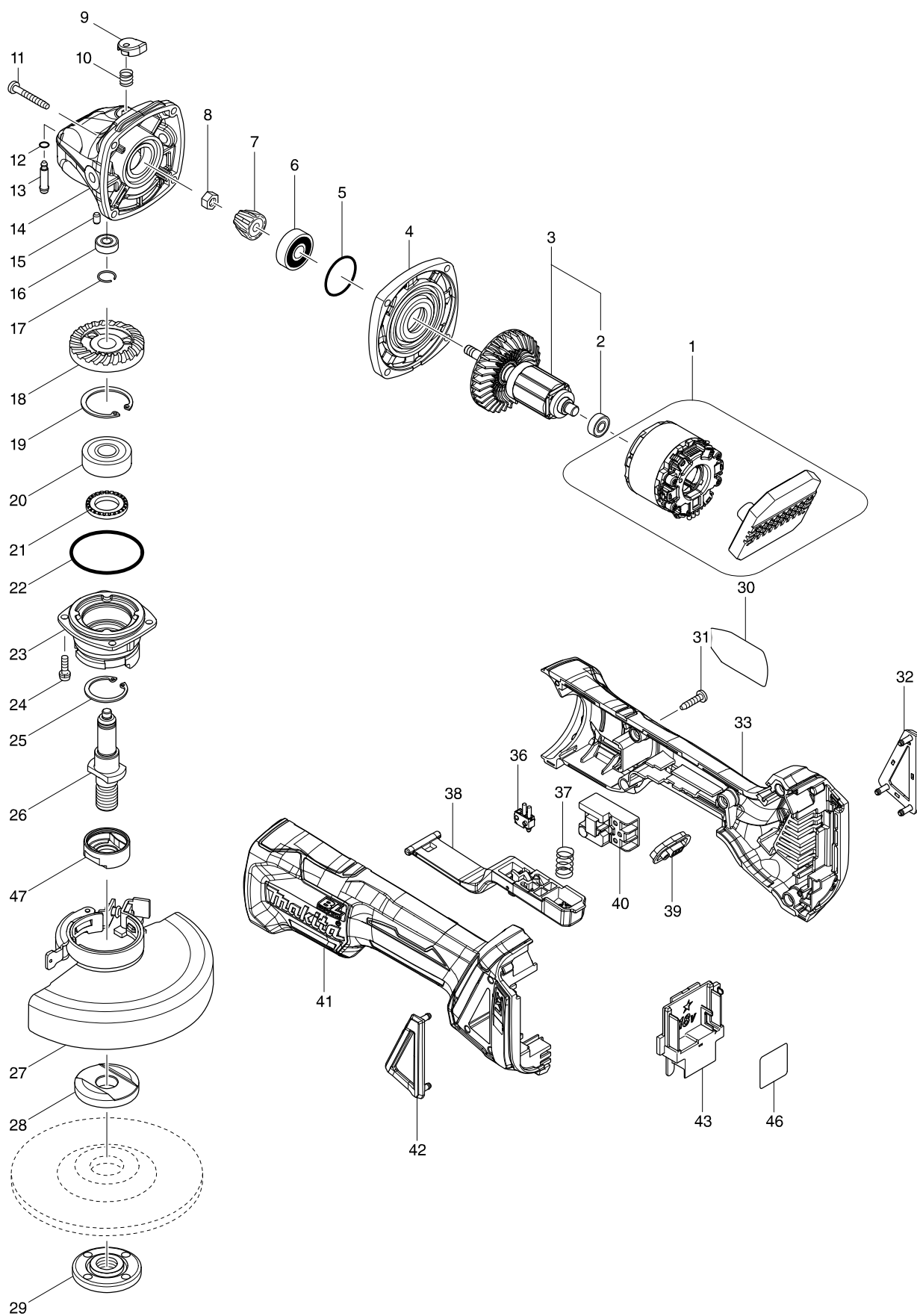


Numéro du modèle DGA508 125MM CORDLESS ANGLE GRINDER



Position	Référence pièce	Description	Echelle	QTE	N/O	Option 1	Option 2	COMMENTAIRE
001	629203-3	STATOR COMPLETE		1				
002	210034-7	BALL BEARING 607LLB		1		P3		
003	519378-5	ROTOR ASS'Y		1				
D10		INC. 2						
004	319214-3	GEAR HOUSING COVER		1				
005	213445-5	O-RING 26		1		P1		
006	210042-8	BALL BEARING 629LLB		1		P10		
007	227541-3	SPIRAL BEVEL GEAR 10		1				
008	252186-8	HEX. NUT M6		1		P1		
009	417771-6	PIN CAP		1		P1		
010	233072-2	COMPRESSION SPRING 8		1		P1		
011	266361-0	TAPPING SCREW 4X30		4		P1		
012	213960-9	O RING 5		1		P1		
013	256546-6	SHOULDER PIN 4		1				
014	319213-5	GEAR HOUSING		1				
015	263002-9	RUBBER PIN 4		1		P1		
016	210033-9	BALL BEARING 696ZZ		1		P2		
017	233950-6	RING SPRING 11		1		P1		
018	227641-9	SPIRAL BEVEL GEAR 37		1				
019	962151-6	RETAINING RING R-32		1		P6		
020	211129-9	BALL BEARING 6201DDW		1		P19		
021	262153-5	FELT RING 16		1		P1		
022	213622-9	O RING 45		1		P1		
023	319399-5	BEARING BOX		1				
024	911121-2	PAN HEAD SCREW M4X14		4		P1		
025	962105-3	RETAINING RING R-26		1		P6		
026	326672-6	SPINDLE		1				
027	123145-8	TOOLLESS WHEELCOVER 125AK ASS		1		P11		
C10	213009-5	O RING 4		1		P1		
C20	265180-1	PAN HEAD SCREW M5X16		1		P1		
028	224447-6	INNER FLANGE 42B		1				
029	224554-5	LOCK NUT 14-45		1		P15		
030	852A28-8	DGA508 NAME PLATE		1				
031	266326-2	TAPPING SCREW 4X18		5		P2		
032	455450-8	DUST COVER R		1				
033	183A52-3	MOTOR HOUSING SET		1				
C10	263005-3	RUBBER PIN 6		2		P2		
D10		INC. 41						
036	632E12-1	SWITCH UNIT		1				
037	234357-9	COMPRESSION SPRING 11		1				
038	142976-6	SWITCH LEVER COMPLETE		1				
039	142901-7	INDICATOR PANEL COMPLETE		1				
040	650734-1	SWITCH TG73BDS-2		1				
041	183A52-3	MOTOR HOUSING SET		1				
C10	263005-3	RUBBER PIN 6		2		P2		
D10		INC. 33						
042	455449-3	DUST COVER L		1				
043	643899-6	TERMINAL		1				

