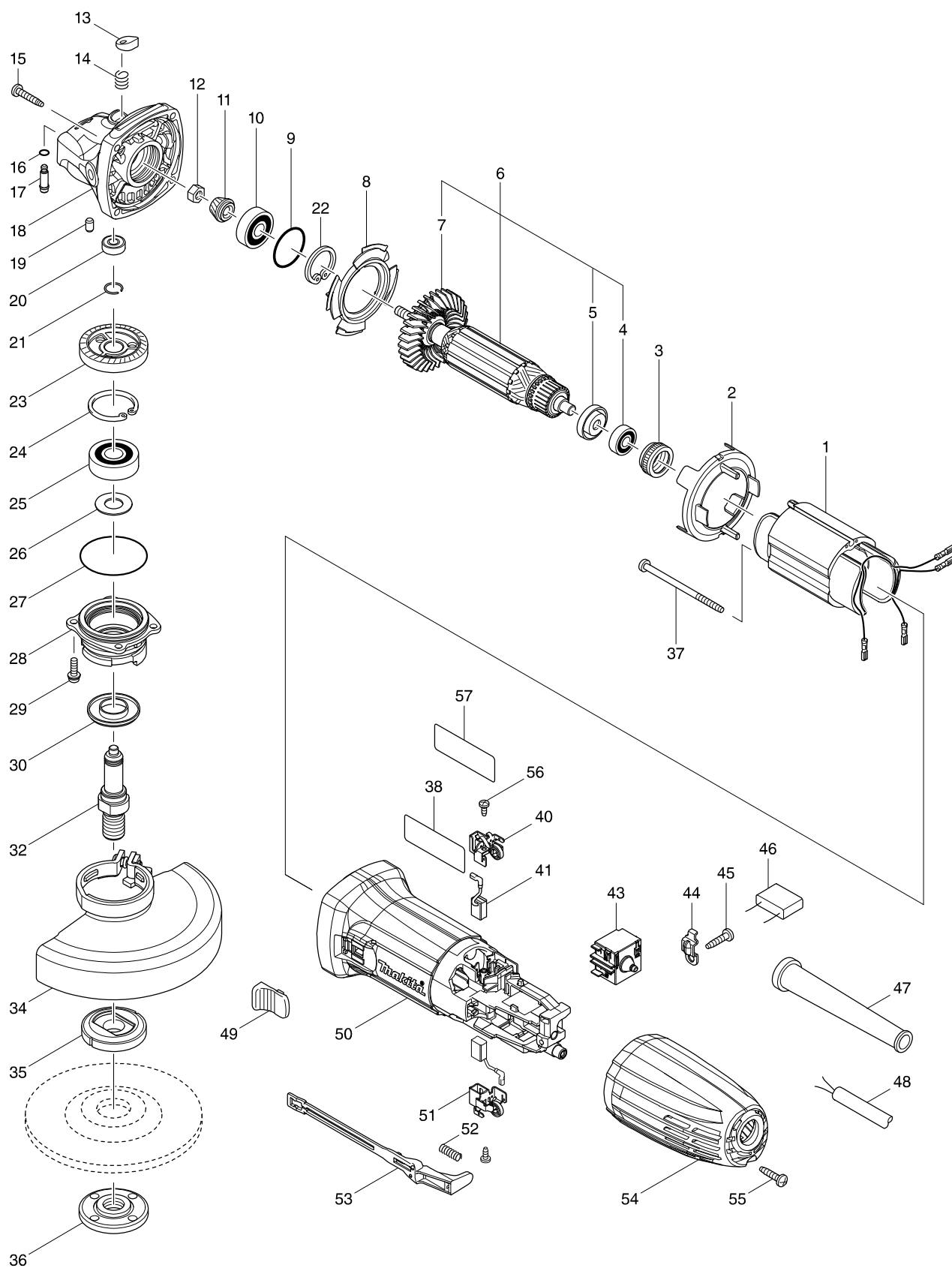


Numéro du modèle GA5030R 125MM ANGLE GRINDER



Position	Référence pièce	Description	Echelle	QTE	N/O	Option 1	Option 2	COMMENTAIRE
001	633903-9	FIELD 220-240V		1				
002	450796-7	BAFFLE PLATE		1		P1		
003	421868-5	LABYRINTH RUBBER RING 19		1		P1		
004	210034-7	BALL BEARING 607LLB		1		P3		
005	681636-0	INSULATION WASHER		1		P3		
006	517649-4	ARMATURE ASS'Y 240V		1		P20		
D10		INC. 4,5,7						
007	240139-9	FAN 56		1		P1		
008	413126-3	GUIDE PLATE		1		P1		
009	213445-5	O-RING 26		1		P1		
010	211092-6	BALL BEARING 629DDW		1		P20		
011	227545-5	SPIRAL BEVEL GEAR 10		1		P5		
012	252186-8	HEX. NUT M6		1		P1		
013	417771-6	PIN CAP		1		P1		
014	234057-1	COMPRESSION SPRING 8		1		P1		
015	266324-6	TAPPING SCREW 4X22		4		P1		
016	213032-0	O RING 4		1		P1		
017	256510-7	SHOULDER PIN 4		1		P1		
018	318335-8	GEAR HOUSING		1		P10		
019	263002-9	RUBBER PIN 4		1		P1		
020	210033-9	BALL BEARING 696ZZ		1		P2		
021	233950-6	RING SPRING 11		1		P1		
022	962105-3	RETAINING RING R-26		1		P6		
023	227546-3	SPIRAL BEVEL GEAR 37		1		P10		
024	962151-6	RETAINING RING R-32		1		P6		
025	211129-9	BALL BEARING 6201DDW		1		P19		
026	267113-2	FLAT WASHER 12		1		P2		
027	213561-3	O RING 42		1		P1		
028	318336-6	BEARING BOX		1		P5		
029	265099-4	PAN HEAD SCREW M4X14		4		P1		
030	345464-4	LABYRINTH RING		1		P1		
032	324954-0	SPINDLE		1		P5		
034	123099-9	WHEEL COVER 125AK ASSEMBLY		1		P11		
C10	213009-5	O RING 4		1		P1		
C20	265180-1	PAN HEAD SCREW M5X16		1		P1		
035	224415-9	INNER FLANGE 42		1		P4		
036	224554-5	LOCK NUT 14-45		1		P15		
037	266325-4	TAPPING SCREW 4X70		2		P1		
038	851S94-0	GA5030R NAME PLATE		1				
040	643839-4	BRUSH HOLDER 6X9		1		P2		
041	194722-3	CARBON BRUSH CB-459		1		P5		
043	650769-2	SWITCH		1				
044	687681-3	STRAIN RELIEF		1		P1		
045	266326-2	TAPPING SCREW 4X18		1		P2		
046	638739-1	CAPACITOR UNIT		1		P3		
047	682559-5	CORD GUARD 8		1		P4		
048	665394-6	POWER SUPPLY CORD 1.0-2-2.5		1				
049	418016-5	SWITCH KNOB		1		P1		

