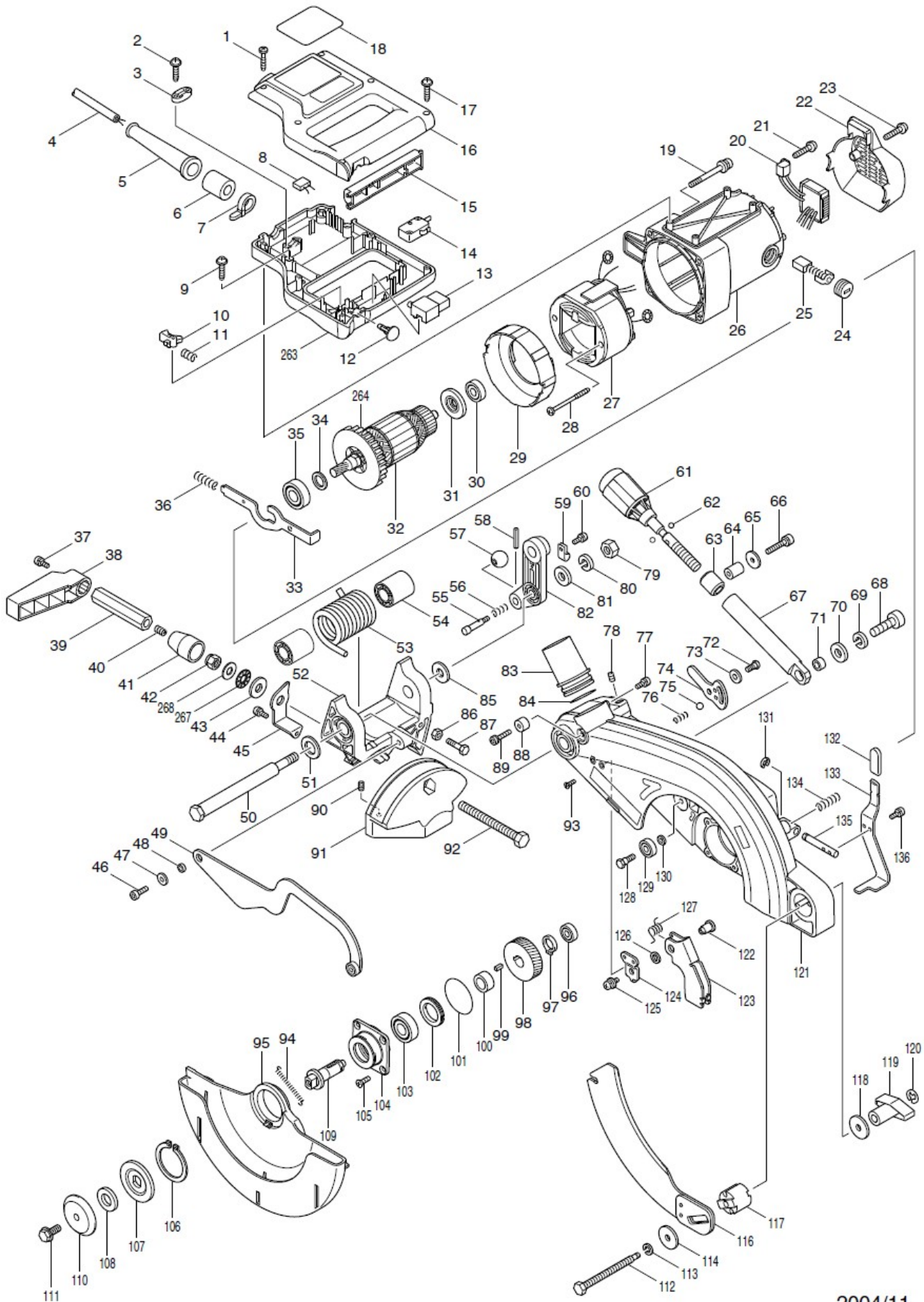
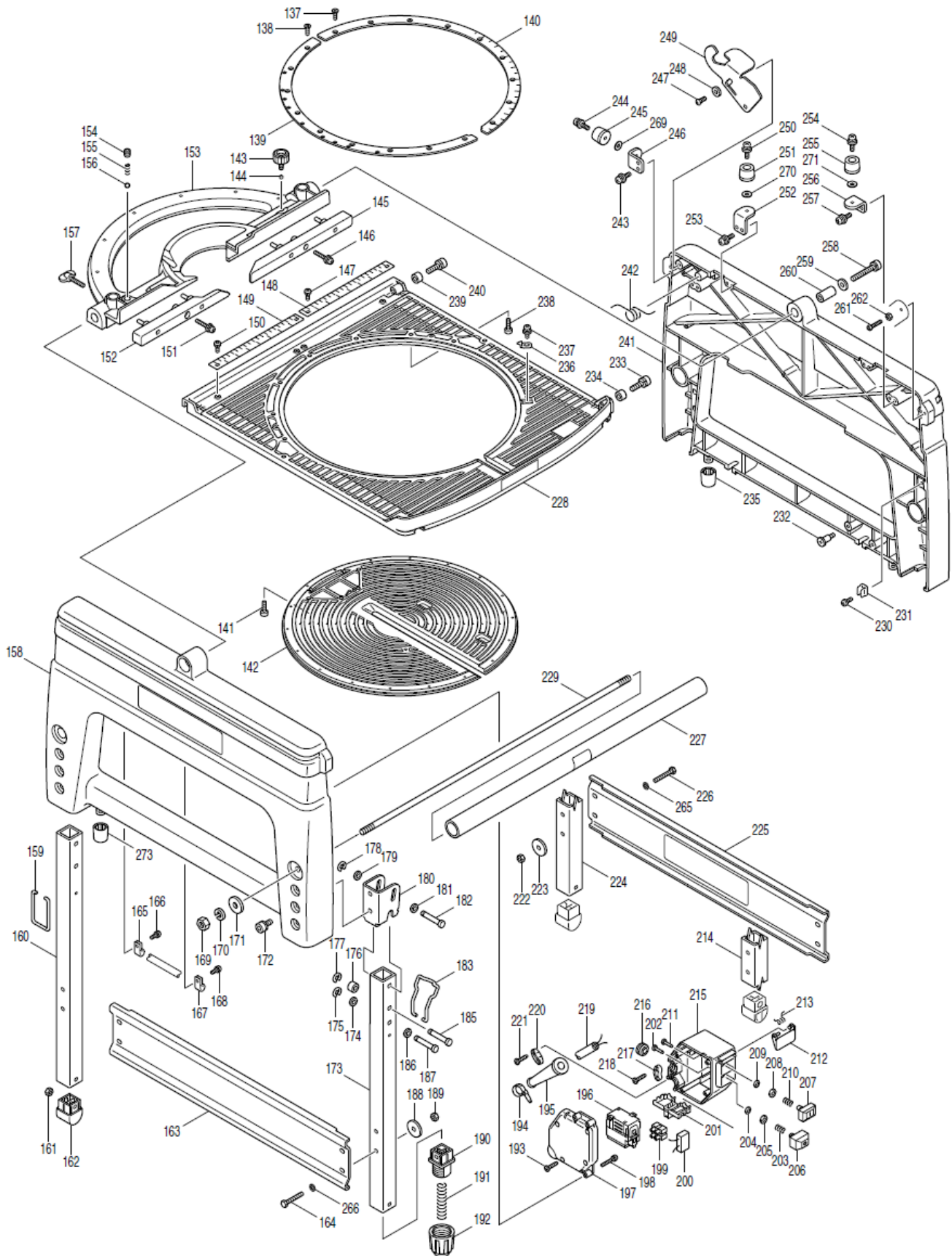


Scie sur table et Scie à coupe d'onglet LF1000



Scie sur table et Scie à coupe d'onglet **LF1000**



Scie sur table et Scie à coupe d'onglet **LF1000**



Item	Parts_No.	Parts_Description	Qty	Unit
1	265999-8	TAPPING SCREW 4X25	2	PC.
2	265995-6	TAPPING SCREW 4X18	2	PC.
3	687054-0	STRAIN RELIEF	1	PC.
4	662971-5	POWER SUPPLY CORD 1.0-6-1.56	1	PC.
5	682506-6	CORD GUARD 12-90	1	PC.
6	688140-0	LINE FILTER	1	PC.
7	687010-0	BAND	1	PC.
8	645006-7	NOISE SUPPRESSOR	1	PC.
9	265995-6	TAPPING SCREW 4X18	2	PC.
10	416356-5	LOCK-OFF LEVER	1	PC.
11	231026-3	COMPRESSION SPRING 4	1	PC.
011-1	233483-1	COMPRESSION SPRING 4	1	PC.
12	416404-0	SWITCH BUTTON	1	PC.
13	651923-1	SWITCH TG70B	1	PC.
14	651941-9	SWITCH V-15-2A5	1	PC.
15	416357-3	SWITCH LEVER	1	PC.
16	154574-4	HANDLE COVER COMPLETE	1	PC.
16	810087-2	CAUTION LABEL	1	PC.
016-1	188063-7	HANDLE SET	1	SET
016-1	810087-2	CAUTION LABEL	1	PC.
016-1		INC. 263	0	
17	265995-6	TAPPING SCREW 4X18	4	PC.
18	861365-3	LF1000 NAME PLATE	1	PC.
19	911383-2	PAN HEAD SCREW M6X60	4	PC.
20	631661-1	CONTROLLER	1	PC.
020-1	631947-3	CONTROLLER	1	PC.
21	265995-6	TAPPING SCREW 4X18	1	PC.
22	416362-0	REAR COVER	1	PC.
23	265995-6	TAPPING SCREW 4X18	2	PC.
24	643650-4	BRUSH HOLDER CAP 6.5-13.5	2	PC.
25	181044-0	CARBON BRUSH CB-153	1	SET
26	154569-7	MOTOR HOUSING COMPLETE	1	PC.
26	643660-1	BRUSH HOLDER 6.5-13.5	2	PC.
26	643653-8	BRUSH HOLDER 6.5-13.5	2	PC.
26	643660-1	BRUSH HOLDER 6.5-13.5	2	PC.
26	810086-4	CAUTION LABEL	1	PC.
27	596273-6	FIELD ASS'Y 220-240V	1	PC.
27	654020-2	RING TERMINAL	2	PC.
27	654502-4	CONNECTOR P-2	2	PC.
28	266044-2	TAPPING SCREW 5X60	2	PC.
29	416361-2	BAFFLE PLATE	1	PC.
30	211061-7	BALL BEARING 6000LLB	1	PC.
31	681642-5	INSULATION WASHER	1	PC.
32	516748-9	ARMATURE ASS'Y 220-240V	1	PC.
32		INC. 30313435264	0	
33	345574-7	SHAFT LOCK	1	PC.
34	253147-1	FLAT WASHER 15	1	PC.
034-1	267320-7	FLAT WASHER 15	1	PC.
35	211206-7	BALL BEARING 6202LLB	1	PC.
36	231297-2	COMPRESSION SPRING 9	1	PC.
036-1	233467-9	COMPRESSION SPRING 9	1	PC.
37	911113-1	PAN HEAD SCREW M4X10	1	PC.
38	416006-2	LEVER 100	1	PC.
39	252192-3	HEX.NUT M10-17	1	PC.
40	231266-3	COMPRESSION SPRING 5	1	PC.
040-1	233465-3	COMPRESSION SPRING 5	1	PC.

Scie sur table et Scie à coupe d'onglet **LF1000**



040-2	231266-3	COMPRESSION SPRING 5	1	PC.
41	331691-9	SPACER	1	PC.
42	252130-5	HEX. LOCK NUT M10-17	1	PC.
042-1	264005-6	HEX. LOCK NUT M10-17	1	PC.
43	253197-6	FLAT WASHER 10	1	PC.
44	911113-1	PAN HEAD SCREW M4X10	1	PC.
45	816825-0	INDICATION PLATE	1	PC.
46	922332-4	HEX. SOCKET HEAD BOLT M6X20	1	PC.
046-1	265551-2	HEX. SOCKET HEAD BOLT M6X20	1	PC.
47	253804-1	FLAT WASHER 6	1	PC.
047-1	267325-7	FLAT WASHER 6	1	PC.
48	257270-4	RING 6	1	PC.
49	154573-6	LINK PLATE COMPLETE	1	PC.
50	265532-6	HEX.BOLT M10	1	PC.
51	253707-9	FLAT WASHER 16	1	PC.
051-1	267323-1	FLAT WASHER 16	1	PC.
52	154570-2	ARM COMPLETE	1	PC.
52	816833-1	BEVEL SCALE LABEL	1	PC.
53	231681-1	TORSION SPRING 34	1	PC.
54	416358-1	SLEEVE 17	2	PC.
55	256488-4	PIN 7	1	PC.
56	233429-7	COMPRESSION SPRING 7	1	PC.
57	271601-3	KNOB 20	1	PC.
58	951063-8	SPRING PIN 3-16	1	PC.
59	687049-3	STRAIN RELIEF	1	PC.
60	911113-1	PAN HEAD SCREW M4X10	1	PC.
61	271319-6	KNOB 40	1	PC.
62	216013-3	STEEL BALL 6	2	PC.
062-1	216030-3	STEEL BALL 6	2	PC.
63	257750-0	SLEEVE 13	1	PC.
64	257748-7	SLEEVE 6	1	PC.
65	267173-4	FLAT WASHER 6	1	PC.
065-1	267313-4	FLAT WASHER 6	1	PC.
66	922351-0	HEX. SOCKET HEAD BOLT M6X30	1	PC.
066-1	265552-0	HEX. SOCKET HEAD BOLT M6X30	1	PC.
67	331689-6	ADJUST NUT	1	PC.
68	922557-0	HEX. SOCKET HEAD BOLT M10X35	1	PC.
69	942251-8	SPRING WASHER 10	1	PC.
70	941252-3	FLAT WASHER 10	1	PC.
71	257747-9	SLEEVE 10	1	PC.
72	265984-1	HEX.SOCKET BUTTON HEAD BOLT M6	1	PC.
73	253823-7	FLAT WASHER 7	1	PC.
073-1	267326-5	FLAT WASHER 7	1	PC.
74	345553-5	STOPPER PLATE	1	PC.
75	216004-4	STEEL BALL 7.9	1	PC.
76	231038-6	COMPRESSION SPRING 6	1	PC.
076-1	233466-1	COMPRESSION SPRING 6	1	PC.
77	911113-1	PAN HEAD SCREW M4X10	1	PC.
78	266085-8	H.S.SET SCREW(FLAT POINT)M6X10	1	PC.
79	931502-4	HEX. NUT M10	1	PC.
80	942251-8	SPRING WASHER 10	1	PC.
81	941252-3	FLAT WASHER 10	1	PC.
82	317889-2	CONNECTING ROD	1	PC.
83	416133-5	DUST NOZZLE	1	PC.
083-1	419277-0	DUST NOZZLE	1	PC.
84	213460-9	O RING 35	1	PC.
85	253197-6	FLAT WASHER 10	1	PC.

Scie sur table et Scie à coupe d'onglet **LF1000**



86	931302-2	HEX. NUT M6	1	PC.
87	921342-8	HEX. BOLT M6X25	1	PC.
88	257746-1	SLEEVE 5	1	PC.
89	922231-0	HEX. SOCKET HEAD BOLT M5X20	1	PC.
089-1	265550-4	HEX. SOCKET HEAD BOLT M5X20	1	PC.
90	266085-8	H.S.SET SCREW(FLAT POINT)M6X10	2	PC.
91	317887-6	SUB ARM	1	PC.
92	266377-5	BOLT M10	1	PC.
93	912112-6	COUNTERSUNK HEAD SCREW M4X10	2	PC.
94	231836-8	TENSION SPRING 4	1	PC.
95	418922-4	SAFETY COVER	1	PC.
96	211031-6	BALL BEARING 608LLB	1	PC.
096-1	210043-6	BALL BEARING 608LLB	1	PC.
97	961055-9	RETAINING RING S-15	1	PC.
98	226600-0	HELICAL GEAR 46	1	PC.
99	254202-2	KEY 4	1	PC.
100	257266-5	RING 15	1	PC.
101	213623-7	O RING 46	1	PC.
102	285808-5	BEARING RETAINER 25-36	1	PC.
102-1	285846-7	BEARING RETAINER 25-36	1	PC.
103	211206-7	BALL BEARING 6202LLB	1	PC.
104	317888-4	BEARING BOX	1	PC.
105	912222-9	COUNTERSUNK HEAD SCREW M5X16	4	PC.
106	961201-4	RETAINING RING S-42	1	PC.
107	224333-1	FLANGE 53	1	PC.
108	257262-3	RING 16	1	PC.
108-1	257295-8	RING 16	1	PC.
109	324543-1	SPINDLE	1	PC.
110	224400-2	OUTER FLANGE 53	1	PC.
111	265355-2	HEX. FLANGE HEAD BOLT M8X20	1	PC.
112	265534-2	HEX.BOLT M8X86	1	PC.
113	942201-3	SPRING WASHER 8	1	PC.
114	267009-7	FLAT WASHER 8	1	PC.
114-1	267312-6	FLAT WASHER 8	1	PC.
116	163461-6	RIVING KNIFE	1	PC.
117	331690-1	KNIFE SUPPORT	1	PC.
118	267009-7	FLAT WASHER 8	1	PC.
118-1	267312-6	FLAT WASHER 8	1	PC.
119	252641-0	WING NUT M8	1	PC.
120	961011-9	STOP RING E-4	1	PC.
121	154571-0	BLADE CASE COMPLETE	1	PC.
121	268076-5	PIN 6	2	PC.
121	817667-5	CAUTION LABEL	1	PC.
121	819174-4	MAKITA LOGO LABEL	1	PC.
121	951163-4	SPRING PIN 5-20	1	PC.
122	324497-2	GUARD SHAFT	1	PC.
122-1	324664-9	GUARD SHAFT	1	PC.
123	345554-3	GUARD	1	PC.
124	345558-5	GUARD HOLDER	1	PC.
125	911213-7	PAN HEAD SCREW M5X12	1	PC.
126	267070-4	FLAT WASHER 10	1	PC.
126-1	267327-3	FLAT WASHER 10	1	PC.
127	231675-6	TORSION SPRING 11	1	PC.
128	265533-4	HEX.BOLT M6	1	PC.
129	211031-6	BALL BEARING 608LLB	1	PC.
129-1	210043-6	BALL BEARING 608LLB	1	PC.
130	267173-4	FLAT WASHER 6	1	PC.

Scie sur table et Scie à coupe d'onglet **LF1000**



130-1	267313-4	FLAT WASHER 6	1	PC.
131	961012-7	STOP RING E-6	1	PC.
132	421589-9	CAP	1	PC.
133	345552-7	LOCK LEVER	1	PC.
134	231297-2	COMPRESSION SPRING 9	1	PC.
134-1	233467-9	COMPRESSION SPRING 9	1	PC.
135	256855-3	ROD 8	1	PC.
136	911113-1	PAN HEAD SCREW M4X10	2	PC.
137	912112-6	COUNTERSUNK HEAD SCREW M4X10	9	PC.
138	912112-6	COUNTERSUNK HEAD SCREW M4X10	9	PC.
139	345541-2	SLIDE PLATE L	1	PC.
140	345542-0	SLIDE PLATE R	1	PC.
141	922332-4	HEX. SOCKET HEAD BOLT M6X20	4	PC.
141-1	265551-2	HEX. SOCKET HEAD BOLT M6X20	4	PC.
142	154575-2	TURN TABLE COMPLETE	1	PC.
142	256253-1	PIN 5	1	PC.
143	251815-0	SCREW M6X25	1	PC.
144	268068-4	PIN 5	1	PC.
145	154578-6	SUB FENCE R COMPLETE	1	PC.
145	268076-5	PIN 6	2	PC.
146	911258-5	PAN HEAD SCREW M5X35	1	PC.
147	911113-1	PAN HEAD SCREW M4X10	2	PC.
148	816827-6	SCALE PLATE R	1	PC.
149	816826-8	SCALE PLATE L	1	PC.
150	911113-1	PAN HEAD SCREW M4X10	2	PC.
151	911258-5	PAN HEAD SCREW M5X35	1	PC.
152	154577-8	SUB FENCE L COMPLETE	1	PC.
152	268076-5	PIN 6	2	PC.
153	154576-0	GUIDE FENCE COMPLETE	1	PC.
153	256253-1	PIN 5	2	PC.
154	251966-9	H.S.SET SCREW(FLATPOINT)M10X12	1	PC.
154-1	266392-9	H.S.SET SCREW(FLATPOINT)M10X12	1	PC.
155	231038-6	COMPRESSION SPRING 6	1	PC.
155-1	233466-1	COMPRESSION SPRING 6	1	PC.
156	216004-4	STEEL BALL 7.9	1	PC.
157	265710-8	THUMB SCREW M6X33	1	PC.
158	188010-8	FRAME SET	1	PC.
158		INC. 273	0	
158-1	188862-7	FRAME SET	1	
158-1		INC. 273	0	
159	345547-0	HOOK	1	PC.
160	331687-0	SQUARE PIPE 32-510	1	PC.
161	931302-2	HEX. NUT M6	3	PC.
162	418927-4	FOOT	3	PC.
163	154592-2	SUPPORT BRACKET COMPLETE	1	PC.
163	816831-5	INDICATION LABEL	1	PC.
164	921367-2	HEX. BOLT M6X45	4	PC.
165	687049-3	STRAIN RELIEF	1	PC.
166	911113-1	PAN HEAD SCREW M4X10	1	PC.
167	687049-3	STRAIN RELIEF	1	PC.
168	911113-1	PAN HEAD SCREW M4X10	1	PC.
169	931502-4	HEX. NUT M10	4	PC.
170	942251-8	SPRING WASHER 10	4	PC.
171	267087-7	FLAT WASHER 10	4	PC.
171-1	267328-1	FLAT WASHER 10	4	PC.
172	922431-2	HEX. SOCKET HEAD BOLT M8X20	8	PC.
172-1	265553-8	HEX. SOCKET HEAD BOLT M8X20	8	PC.
173	331686-2	SQUARE PIPE 32-475	1	PC.

Scie sur table et Scie à coupe d'onglet **LF1000**



174	253165-9	FLAT WASHER 8	2	PC.
174-1	267321-5	FLAT WASHER 8	2	PC.
175	961012-7	STOP RING E-6	2	PC.
176	257749-5	SLEEVE 8	4	PC.
177	961012-7	STOP RING E-6	4	PC.
178	961012-7	STOP RING E-6	4	PC.
179	253165-9	FLAT WASHER 8	4	PC.
179-1	267321-5	FLAT WASHER 8	4	PC.
180	345543-8	BRACKET	4	PC.
181	253165-9	FLAT WASHER 8	4	PC.
181-1	267321-5	FLAT WASHER 8	4	PC.
182	268127-4	PIN 8	4	PC.
183	345548-8	STOPPER HOOK	2	PC.
185	268127-4	PIN 8	4	PC.
186	253165-9	FLAT WASHER 8	2	PC.
186-1	267321-5	FLAT WASHER 8	2	PC.
187	268141-0	PIN 8	2	PC.
188	267009-7	FLAT WASHER 8	4	PC.
188-1	267312-6	FLAT WASHER 8	4	PC.
189	931302-2	HEX. NUT M6	4	PC.
190	418925-8	FOOT BOLT	1	PC.
191	233087-9	COMPRESSION SPRING 13	1	PC.
191-1	233468-7	COMPRESSION SPRING 13	1	PC.
192	418926-6	FOOT NUT	1	PC.
193	265995-6	TAPPING SCREW 4X18	4	PC.
194	687209-7	BAND	1	PC.
195	682540-6	CORD GUARD 9.3-90	1	PC.
196	652772-9	RELAY 305.232.01	1	PC.
197	418924-0	SWITCH BOX COVER	1	PC.
198	911148-2	PAN HEAD SCREW M4X25	3	PC.
199	654561-8	TERMINAL BLOCK	1	PC.
200	645206-9	NOISE SUPPRESSOR	1	PC.
201	686035-1	RECEPTACLE SLEEVE	5	PC.
202	418618-7	PIN	1	PC.
203	231025-5	COMPRESSION SPRING 8	1	PC.
203-1	233464-5	COMPRESSION SPRING 8	1	PC.
204	443103-1	FELT RING 6	1	PC.
205	253186-1	FLAT WASHER 7	1	PC.
205-1	267322-3	FLAT WASHER 7	1	PC.
206	418617-9	SWITCH BUTTON OFF	1	PC.
207	418616-1	SWITCH BUTTON ON	1	PC.
208	253186-1	FLAT WASHER 7	1	PC.
208-1	267322-3	FLAT WASHER 7	1	PC.
209	443103-1	FELT RING 6	1	PC.
210	231025-5	COMPRESSION SPRING 8	1	PC.
210-1	233464-5	COMPRESSION SPRING 8	1	PC.
211	418618-7	PIN	1	PC.
212	418929-0	SWITCH COVER	1	PC.
213	231682-9	TORSION SPRING 5	1	PC.
214	331686-2	SQUARE PIPE 32-475	1	PC.
215	418923-2	SWITCH BOX	1	PC.
216	682511-3	GROMMET	1	PC.
217	687054-0	STRAIN RELIEF	1	PC.
218	265995-6	TAPPING SCREW 4X18	2	PC.
219	665865-3	POWER SUPPLY CORD 1.0-2-2.5	1	PC.
220	687052-4	STRAIN RELIEF	1	PC.
221	265995-6	TAPPING SCREW 4X18	2	PC.
222	931302-2	HEX. NUT M6	4	PC.

Scie sur table et Scie à coupe d'onglet **LF1000**



223	267009-7	FLAT WASHER 8	4	PC.
223-1	267312-6	FLAT WASHER 8	4	PC.
224	331686-2	SQUARE PIPE 32-475	1	PC.
225	345546-2	SUPPORT BRACKET	1	PC.
226	921367-2	HEX. BOLT M6X45	4	PC.
227	154593-0	PIPE 32 COMPLETE	2	PC.
227	819212-2	MAKITA LOGO LABEL	2	PC.
228	154572-8	TABLE COMPLETE	1	PC.
228	810086-4	CAUTION LABEL	1	PC.
228	810965-6	CAUTION LABEL	1	PC.
229	266360-2	SCREW M10	2	PC.
230	911113-1	PAN HEAD SCREW M4X10	1	PC.
231	232075-3	LEAF SPRING	1	PC.
232	266030-3	SCREW M6	2	PC.
232-1	266391-1	SHOULDER SCREW M6	2	PC.
233	922442-7	HEX. SOCKET HEAD BOLT M8X25	1	PC.
233-1	265554-6	HEX. SOCKET HEAD BOLT M8X25	1	PC.
234	257749-5	SLEEVE 8	1	PC.
235	418931-3	CAP	2	PC.
236	816128-2	POINTER	1	PC.
236-1	816856-9	INDICATION PLATE	1	PC.
237	911108-4	PAN HEAD SCREW M4X8	1	PC.
238	922332-4	HEX. SOCKET HEAD BOLT M6X20	9	PC.
238-1	265551-2	HEX. SOCKET HEAD BOLT M6X20	9	PC.
239	257749-5	SLEEVE 8	1	PC.
240	922442-7	HEX. SOCKET HEAD BOLT M8X25	1	PC.
240-1	265554-6	HEX. SOCKET HEAD BOLT M8X25	1	PC.
241	188010-8	FRAME SET	1	PC.
241		INC. 235	0	
241-1	188862-7	FRAME SET	1	
241-1		INC. 235	0	
242	231680-3	TORSION SPRING 17	1	PC.
243	911333-7	PAN HEAD SCREW M6X20	4	PC.
244	911333-7	PAN HEAD SCREW M6X20	2	PC.
245	421906-3	CUSHION	2	PC.
246	345550-1	STOPPER BRACKET R	2	PC.
247	265984-1	HEX.SOCKET BUTTON HEAD BOLT M6	2	PC.
248	253823-7	FLAT WASHER 7	2	PC.
248-1	267326-5	FLAT WASHER 7	2	PC.
249	345551-9	LEVER	1	PC.
250	911333-7	PAN HEAD SCREW M6X20	2	PC.
251	421906-3	CUSHION	2	PC.
252	345550-1	STOPPER BRACKET R	2	PC.
253	911333-7	PAN HEAD SCREW M6X20	4	PC.
254	911333-7	PAN HEAD SCREW M6X20	2	PC.
255	421906-3	CUSHION	2	PC.
256	345549-6	STOPPER BRACKET F	2	PC.
257	911333-7	PAN HEAD SCREW M6X20	4	PC.
258	922471-0	HEX. SOCKET HEAD BOLT M8X50	2	PC.
258-1	265555-4	HEX. SOCKET HEAD BOLT M8X50	2	PC.
259	267236-6	FLAT WASHER 8	2	PC.
259-1	267399-8	FLAT WASHER 8	2	PC.
260	257751-8	SLEEVE 8	2	PC.
261	922137-2	HEX. SOCKET HEAD BOLT M4X20	1	PC.
261-1	265549-9	HEX. SOCKET HEAD BOLT M4X20	1	PC.
262	931103-8	HEX. NUT M4	1	PC.
263	416364-6	HANDLE	1	PC.
263-1	188063-7	HANDLE SET	1	SET

Scie sur table et Scie à coupe d'onglet **LF1000**



263-1	810087-2	CAUTION LABEL	1	PC.
263-1		INC. 16	0	
264	240003-4	FAN 80	1	PC.
265	941152-7	FLAT WASHER 6	4	PC.
266	941152-7	FLAT WASHER 6	4	PC.
267	216413-7	THRUST NEEDLE CAGE 1024	1	PC.
268	253024-7	FLAT WASHER 10	1	PC.
269	253047-5	FLAT WASHER 6	2	PC.
269-1	267319-2	FLAT WASHER 6	2	PC.
271	253047-5	FLAT WASHER 6	3	PC.
271-1	267319-2	FLAT WASHER 6	3	PC.
272	253047-5	FLAT WASHER 6	3	PC.
272-1	267319-2	FLAT WASHER 6	3	PC.
273	418931-3	CAP	2	PC.
A01	122729-9	RULER ASS'Y	1	PC.
A01	154580-9	RULE HOLDER COMPLETE	1	PC.
A01	251858-2	SCREW M6X15	1	PC.
A01	265730-2	THUMB SCREW M6X35	1	PC.
A01	266085-8	H.S.SET SCREW(FLAT POINT)M6X10	1	PC.
A01	345424-6	GUIDE PLATE	1	PC.
A01	345557-7	NUT PLATE	1	PC.
A01		INC. A15	0	
A01-1	122729-9	RULER ASS'Y	1	PC.
A01-1	251858-2	SCREW M6X15	1	PC.
A01-1	265730-2	THUMB SCREW M6X35	1	PC.
A01-1	266085-8	H.S.SET SCREW(FLAT POINT)M6X10	1	PC.
A01-1	345692-1	GUIDE PLATE	1	PC.
A01-1	345557-7	NUT PLATE	1	PC.
A01-1	331692-7	RULER A	1	PC.
A01-1		INC. A15	0	
A02	122732-0	DUST COVER ASS'Y	1	PC.
A02	252103-8	HEX. LOCK NUT M5-8	1	PC.
A02	265746-7	THUMB SCREW M5X37	1	PC.
A02-1	122732-0	DUST COVER ASS'Y	1	PC.
A02-1	264004-8	HEX. LOCK NUT M5-8	1	PC.
A02-1	265746-7	THUMB SCREW M5X37	1	PC.
A03	122523-9	DUST BAG ASS'Y	1	PC.
A03	410602-8	FASTENER	1	PC.
A04	122728-1	WISE ASS'Y	1	PC.
A04	251887-5	SCREW M6X10	1	PC.
A04	253804-1	FLAT WASHER 6	1	PC.
A04	265153-4	+ PAN HEAD SCREW M5	1	PC.
A04	271303-1	KNOB 40	1	PC.
A04	317892-3	WISE ARM	1	PC.
A04	322983-7	WISE ROD	1	PC.
A04	345575-5	WISE PLATE	1	PC.
A04-1	122728-1	WISE ASS'Y	1	PC.
A04-1	251887-5	SCREW M6X10	1	PC.
A04-1	267325-7	FLAT WASHER 6	1	PC.
A04-1	265153-4	+ PAN HEAD SCREW M5	1	PC.
A04-1	271303-1	KNOB 40	1	PC.
A04-1	317892-3	WISE ARM	1	PC.
A04-1	324663-1	WISE ROD	1	PC.
A04-1	345575-5	WISE PLATE	1	PC.
A05	122730-4	ANGLE RULE ASS'Y	1	PC.
A05	163454-3	GUIDE PLATE	1	PC.
A05	252631-3	SCREW M6	1	PC.
A05	253047-5	FLAT WASHER 6	1	PC.

Scie sur table et Scie à coupe d'onglet **LF1000**



A05	271401-1	KNOB 32	1	PC.
A05	331693-5	RULER B	1	PC.
A05	923326-2	CUP SQUARE NECK BOLT M6X18	1	PC.
A05-1	122730-4	ANGLE RULE ASS'Y	1	PC.
A05-1	163454-3	GUIDE PLATE	1	PC.
A05-1	252631-3	SCREW M6	1	PC.
A05-1	267319-2	FLAT WASHER 6	1	PC.
A05-1	271401-1	KNOB 32	1	PC.
A05-1	331693-5	RULER B	1	PC.
A05-1	923326-2	CUP SQUARE NECK BOLT M6X18	1	PC.
A05-1	266371-7	CUP SQUARE NECK BOLT M6X18	1	PC.
A06	122731-2	TOP COVER ASS'Y (protège lame position délignage)	1	PC.
A06	233307-1	COMPRESSION SPRING 7	1	PC.
A06	268129-0	PIN 8	1	PC.
A06	961012-7	STOP RING E-6	1	PC.
A06	817283-3	CAUTION LABEL	1	PC.
A06-1	122731-2	TOP COVER ASS'Y	1	PC.
A06-1	233469-5	COMPRESSION SPRING 7	1	PC.
A06-1	268129-0	PIN 8	1	PC.
A06-1	961012-7	STOP RING E-6	1	PC.
A06-1	817283-3	CAUTION LABEL	1	PC.
A07	345555-1	FIX PLATE	3	PC.
A08	416368-8	ELBOW	1	PC.
A09	419043-5	PUSH STICK	1	PC.
A10	762001-3	TRIANGULAR RULE	1	PC.
A11	921322-4	HEX. BOLT M6X16	3	PC.
A12	782230-2	BOX WRENCH 13-3	1	PC.
A14	B-03838	T.C.T.SAW BLADE 260X30X60T	1	PC.
A15	154580-9	RULE HOLDER COMPLETE	1	PC.
A15	810191-7	CAUTION LABEL	1	PC.