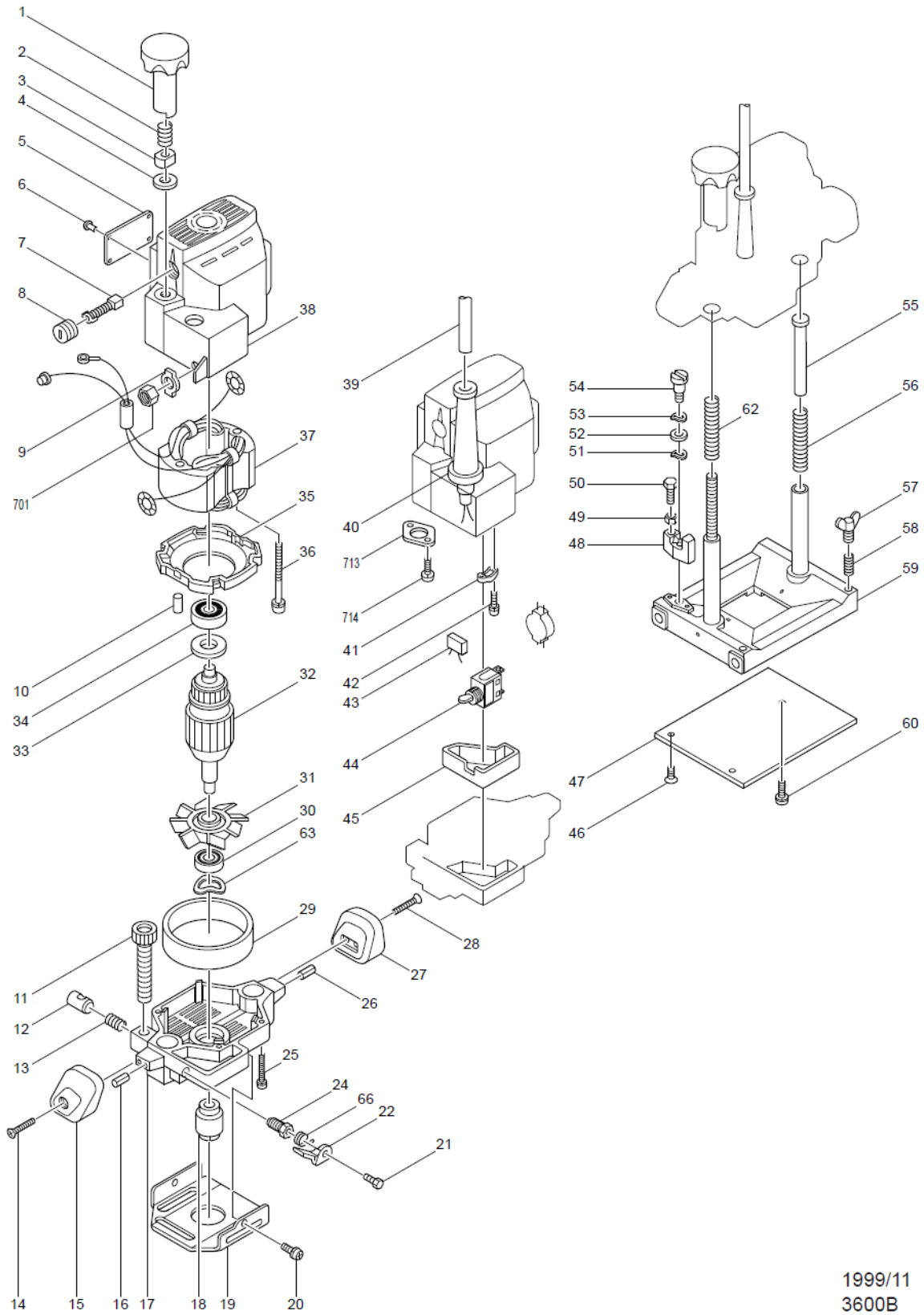


# Defonceuse 3600B



1999/11  
3600B

# Defonceuse 3600B



Item	Parts_No.	Parts_Description	Qty	Unit
1	271215-8	KNOB 50	1	PC.
2	231231-2	COMPRESSION SPRING 12	1	PC.
3	252203-4	NUT M10-15	1	PC.
4	941251-5	FLAT WASHER 10	1	PC.
5	811818-2	NAME PLATE 3600B	1	PC.
6	953106-2	RIVET 0-5	4	PC.
007-1	181044-0	CARBON BRUSH CB-153	1	SET
8	643650-4	BRUSH HOLDER CAP 6.5-13.5	2	PC.
9	652155-3	INDICATION LABEL	1	PC.
10	263002-9	RUBBER PIN 4	1	PC.
011-1	251861-3	SCREW M10X77	1	PC.
12	323559-3	HALF NUT	1	PC.
13	231142-1	COMPRESSION SPRING 10	1	PC.
14	912357-6	COUNTERSUNK HEAD SCREW M6X35	1	PC.
15	272404-8	KNOB 59R	1	PC.
16	951160-0	SPRING PIN 5-18	1	PC.
017-4	157705-4	UNDER HOUSING	1	PC.
018-1	763601-2	COLLET CHUCK 12MM	1	PC.
019-1	345114-1	CHIP COVER	1	PC.
20	911201-4	PAN HEAD SCREW M5X8	2	PC.
21	265269-5	HEX. BOLT M5X12	1	PC.
22	341933-3	LOCK LEVER	1	PC.
24	265813-8	SET BOLT M10	1	PC.
025-1	911263-2	PAN HEAD SCREW M5X40	4	PC.
26	951160-0	SPRING PIN 5-18	1	PC.
27	272403-0	KNOB 59L	1	PC.
28	912357-6	COUNTERSUNK HEAD SCREW M6X35	1	PC.
29	343267-0	BAFFLE PLATE	1	PC.
030-1	211129-9	BALL BEARING 6201DDW	1	PC.
31	241612-2	FAN 86	1	PC.
032A1	514898-4	ARMATURE ASS'Y 220V	1	PC.
032A1		INC. 30313334	0	
033-2	681624-7	INSULATION WASHER	1	PC.
033-3	681635-2	INSULATION WASHER	1	PC.
034-4	211087-9	BALL BEARING 6200DDW	1	PC.
035-1	410258-7	BAFFLE PLATE	1	PC.
036-1	911290-9	PAN HEAD SCREW M5X65	2	PC.
037C1	524425-9	FIELD ASS'Y 220V	1	PC.
037C1	654020-2	RING TERMINAL	2	PC.
037C1	654502-4	CONNECTOR P-2	2	PC.
038-2	159470-1	MOTOR HOUSING COMPLETE	1	PC.
038-2	643653-8	BRUSH HOLDER 6.5-13.5	2	PC.
039T	666066-6	POWER SUPPLY CORD 1.0-2-2.5	1	PC.
40	682504-0	CORD GUARD 10-85	1	PC.
041C	687053-2	STRAIN RELIEF	1	PC.
042-1	911133-5	PAN HEAD SCREW M4X18	2	PC.
043H	645200-1	NOISE SUPPRESSOR	1	PC.
044-1	651403-7	SWITCH ST115A-31	1	PC.
45	411232-8	SEPARATE	1	PC.
46	413017-8	BASE PLATE	1	PC.
047-1	912112-6	COUNTERSUNK HEAD SCREW M4X10	4	PC.
048-1	316829-7	STOPPER	1	PC.
49	931303-0	HEX. NUT M6	1	PC.
50	921342-8	HEX. BOLT M6X25	1	PC.
51	253932-2	WAVE WASHER 10	1	PC.
52	253173-0	FLAT WASHER 10	1	PC.
53	253932-2	WAVE WASHER 10	1	PC.
54	251423-7	- FLAT HEAD SCREW M6	1	PC.

# Defonceuse 3600B



55	314062-5	POLE	1	PC.
056-3	233053-6	COMPRESSION SPRING 12	1	PC.
057-1	924316-8	WING BOLT M6X15	2	PC.
058-1	231071-8	COMPRESSION SPRING 9	2	PC.
059-1	154307-7	BASE COMPLETE	1	PC.
60	911206-4	PAN HEAD SCREW M5X10	2	PC.
062-1	233053-6	COMPRESSION SPRING 12	1	PC.
63	253905-5	WAVE WASHER 23	1	PC.
66	231574-2	TORSION SPRING 15	1	PC.
400	154233-0	HOLDER COMPLETE	1	PC.
401	251830-4	SCREW M10X34	1	PC.
402	163053-1	ROLL	1	PC.
403	342427-1	PLATE HOLDER	1	PC.
404	924206-5	WING BOLT M5X10	1	PC.
405	942101-7	SPRING WASHER 5	1	PC.
406	941101-4	FLAT WASHER 5	1	PC.
407	924311-8	WING BOLT M6X12	1	PC.
408	942151-2	SPRING WASHER 6	1	PC.
409	941151-9	FLAT WASHER 6	1	PC.
410	342428-9	STRAIGHT GUIDE	1	PC.
414-3	344364-5	TEMPLET GUIDE 16	1	PC.
415-1	781029-2	WRENCH 21	1	PC.
416-2	781012-9	WRENCH 23	1	PC.
904	654532-5	TERMINAL BLOCK 1P	1	PC.
905	232097-3	LEAF SPRING	1	PC.
906	911219-5	PAN HEAD SCREW M5X14	1	PC.