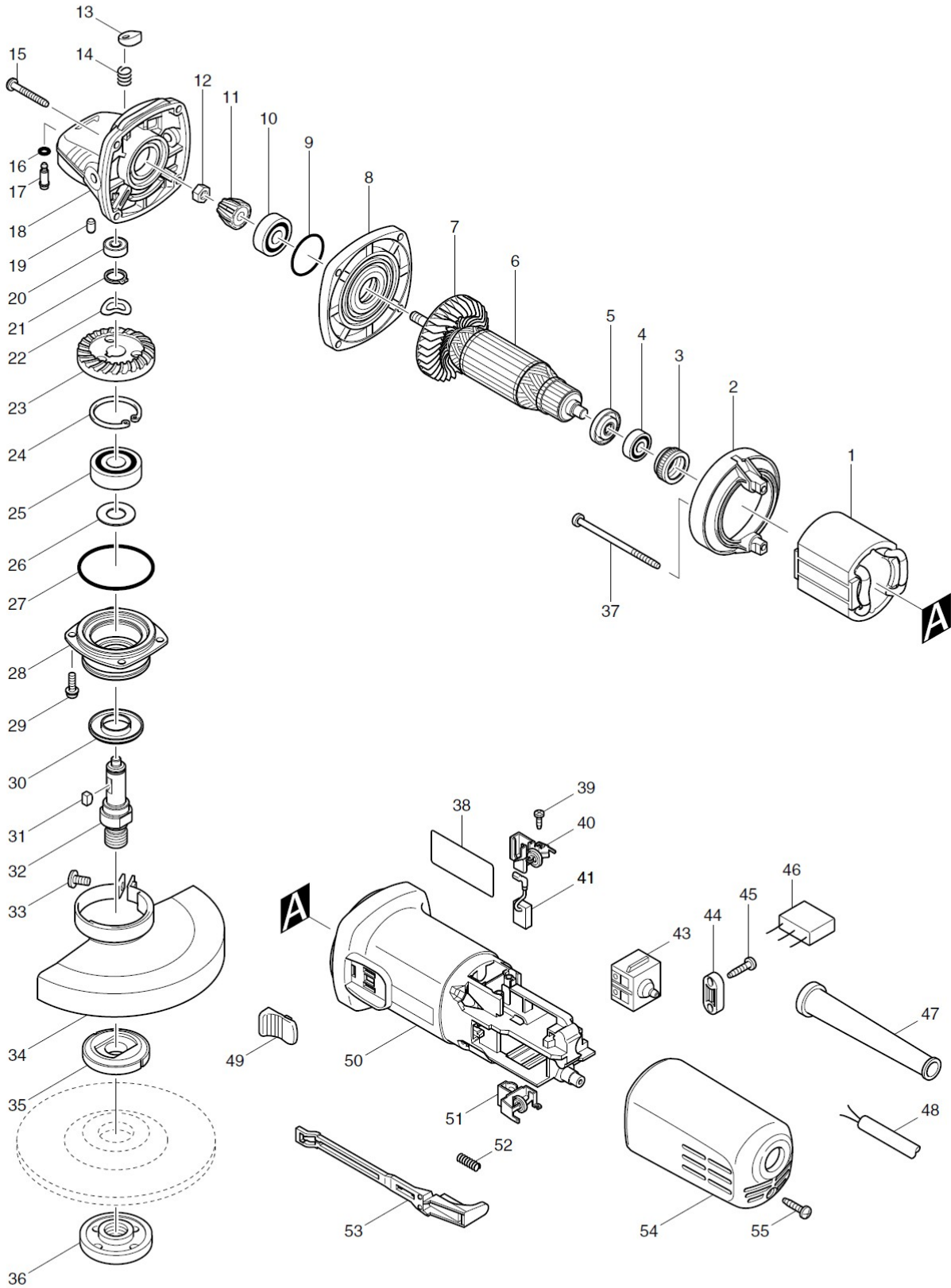


# Meuleuse 9555NB



# Meuleuse 9555NB



Item	Parts_No.	Parts_Description	Qty	Unit
1	621713-6	FIELD 220-240V	1	PC.
2	418795-5	BAFFLE PLATE	1	PC.
3	421868-5	LABYRINTH RUBBER RING 19	1	PC.
4	210034-7	BALL BEARING 607LLB	1	PC.
5	681667-9	RESIN WASHER	1	PC.
005-1	681636-0	INSULATION WASHER	1	PC.
6	515619-7	ARMATURE ASS'Y 220-240V	1	PC.
6		INC. 457	0	
7	240076-7	FAN 56	1	PC.
8	317821-6	GEAR HOUSING COVER	1	PC.
9	213445-5	O-RING 26	1	PC.
10	210071-1	BALL BEARING 629LLB	1	PC.
010-1	210053-3	BALL BEARING 629LLB	1	PC.
010-2	210042-8	BALL BEARING 629LLB	1	PC.
11	227464-5	SPIRAL BEVEL GEAR 10	1	PC.
12	252186-8	HEX. NUT M6	1	PC.
13	417771-6	PIN CAP	1	PC.
14	233376-2	COMPRESSION SPRING 8	1	PC.
15	266361-0	TAPPING SCREW 4X30	4	PC.
16	213960-9	O RING 5	1	PC.
17	256486-8	SHOULDER PIN 4	1	PC.
18	317814-3	GEAR HOUSING	1	PC.
19	263002-9	RUBBER PIN 4	1	PC.
20	210033-9	BALL BEARING 696ZZ	1	PC.
21	961052-5	RETAINING RING S-12	1	PC.
22	267794-2	WAVE WASHER 12	1	PC.
23	227465-3	SPIRAL BEVEL GEAR 37	1	PC.
023-1	227505-7	SPIRAL BEVEL GEAR 37	1	PC.
24	962151-6	RETAINING RING R-32	1	PC.
25	211129-9	BALL BEARING 6201DDW	1	PC.
26	267238-2	FLAT WASHER 12	1	PC.
27	213622-9	O RING 45	1	PC.
28	317819-3	BEARING BOX	1	PC.
028-1	318331-6	BEARING BOX	1	PC.
29	265099-4	PAN HEAD SCREW M4X14	4	PC.
30	345464-4	LABYRINTH RING	1	PC.
31	254011-9	WOODRUFF KEY 4	1	PC.
32	324489-1	SPINDLE	1	PC.
032-1	324489-1	SPINDLE	1	PC.
33	265103-9	PAN HEAD SCREW M5X14	1	PC.
033-1	265180-1	PAN HEAD SCREW M5X16	1	PC.
34	125268-8	WHEEL COVER ASS'Y	1	PC.
34		INC. 33	0	
034-1	122887-1	WHEEL COVER 125K ASSY	1	
034-1	213009-5	O RING 4	1	PC.
034-1		INC. 33	0	
35	224298-7	INNER FLANGE 42	1	PC.
035-1	224415-9	INNER FLANGE 42	1	PC.
36	224554-5	LOCK NUT 14-45	1	PC.
37	266362-8	TAPPING SCREW 4X70	2	PC.
037-1	266325-4	TAPPING SCREW 4X70	2	PC.
38	861248-7	9555NB NAME PLATE	1	PC.
39	266007-8	TAPPING SCREW BIND PT 3X10	4	PC.
40	643760-7	BRUSH HOLDER	1	PC.
41	194074-2	CARBON BRUSH CB-325	1	SET
43	650560-8	SWITCH DPX-2110-R	1	PC.

# Meuleuse 9555NB



44	687123-7	STRAIN RELIEF	1	PC.
044-1	687124-5	STRAIN RELIEF	1	PC.
45	266326-2	TAPPING SCREW 4X18	2	PC.
46	645233-6	NOISE SUPPRESSOR	1	PC.
47	682559-5	CORD GUARD 8	1	PC.
48	666066-6	POWER SUPPLY CORD 1.0-2-2.5	1	PC.
048-1	665394-6	POWER SUPPLY CORD 1.0-2-2.5	1	PC.
49	418769-6	SWITCH KNOB	1	PC.
049-1	419566-3	SWITCH KNOB	1	PC.
50	418794-7	MOTOR HOUSING	1	PC.
050-1	418794-7	MOTOR HOUSING	1	PC.
050-2	451126-5	MOTOR HOUSING	1	PC.
51	643760-7	BRUSH HOLDER	1	PC.
52	233121-5	COMPRESSION SPRING 4	1	PC.
53	418796-3	SWITCH LEVER C	1	PC.
54	418726-4	REAR COVER	1	PC.
55	266326-2	TAPPING SCREW 4X18	1	PC.
A01	153489-2	GRIP 36 COMPLETE	1	PC.
A02	782421-5	LOCK NUT WRENCH 35	1	PC.
A02-1	782423-1	LOCK NUT WRENCH 35	1	PC.
A02A	782421-5	LOCK NUT WRENCH 35	1	PC.
A02A1	782423-1	LOCK NUT WRENCH 35	1	PC.
A03	824736-5	PLASTIC CARRYING CASE	1	PC.
A03	182935-8	SLIDE LATCH (R.L) SET	1	SET