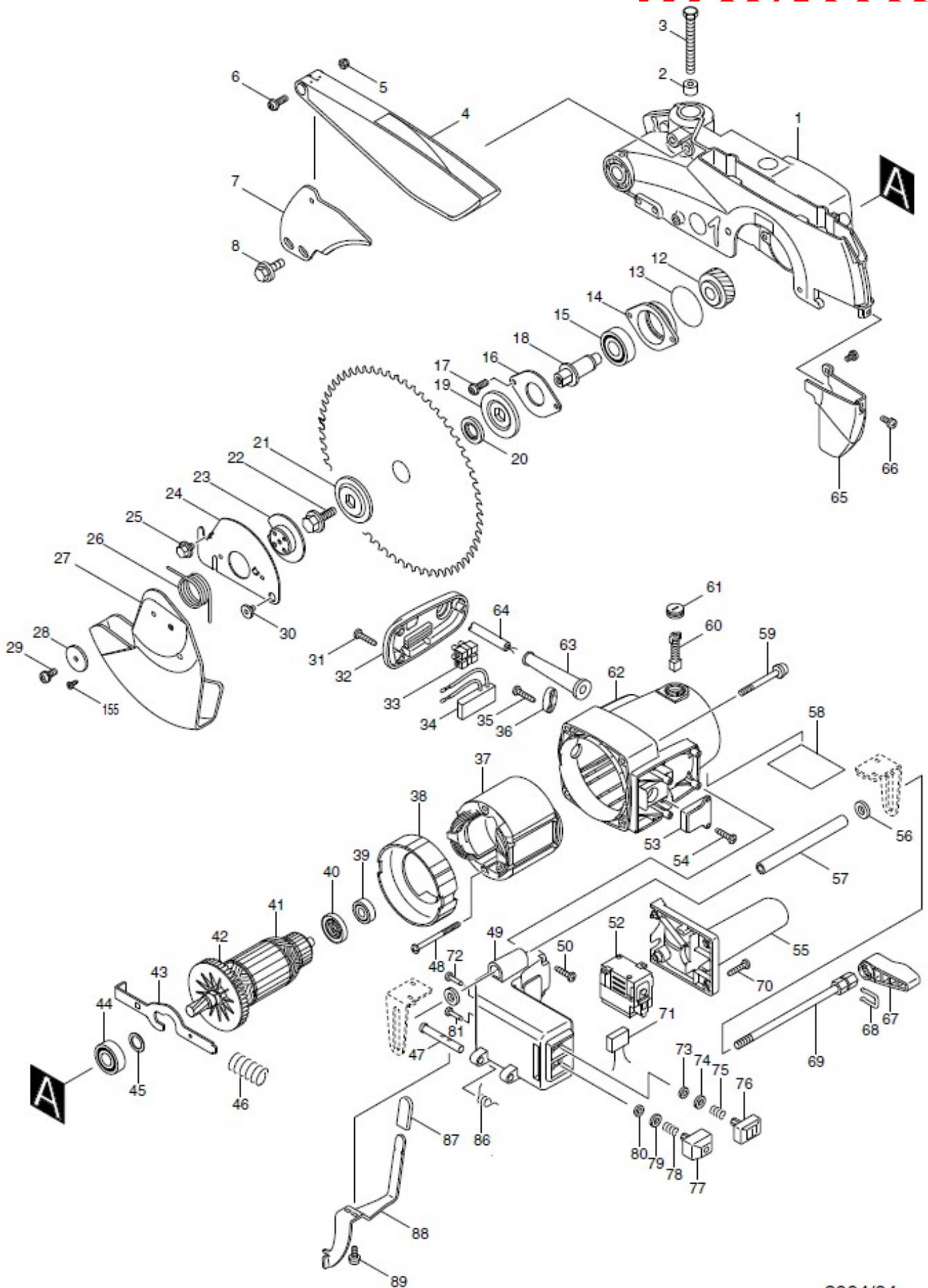
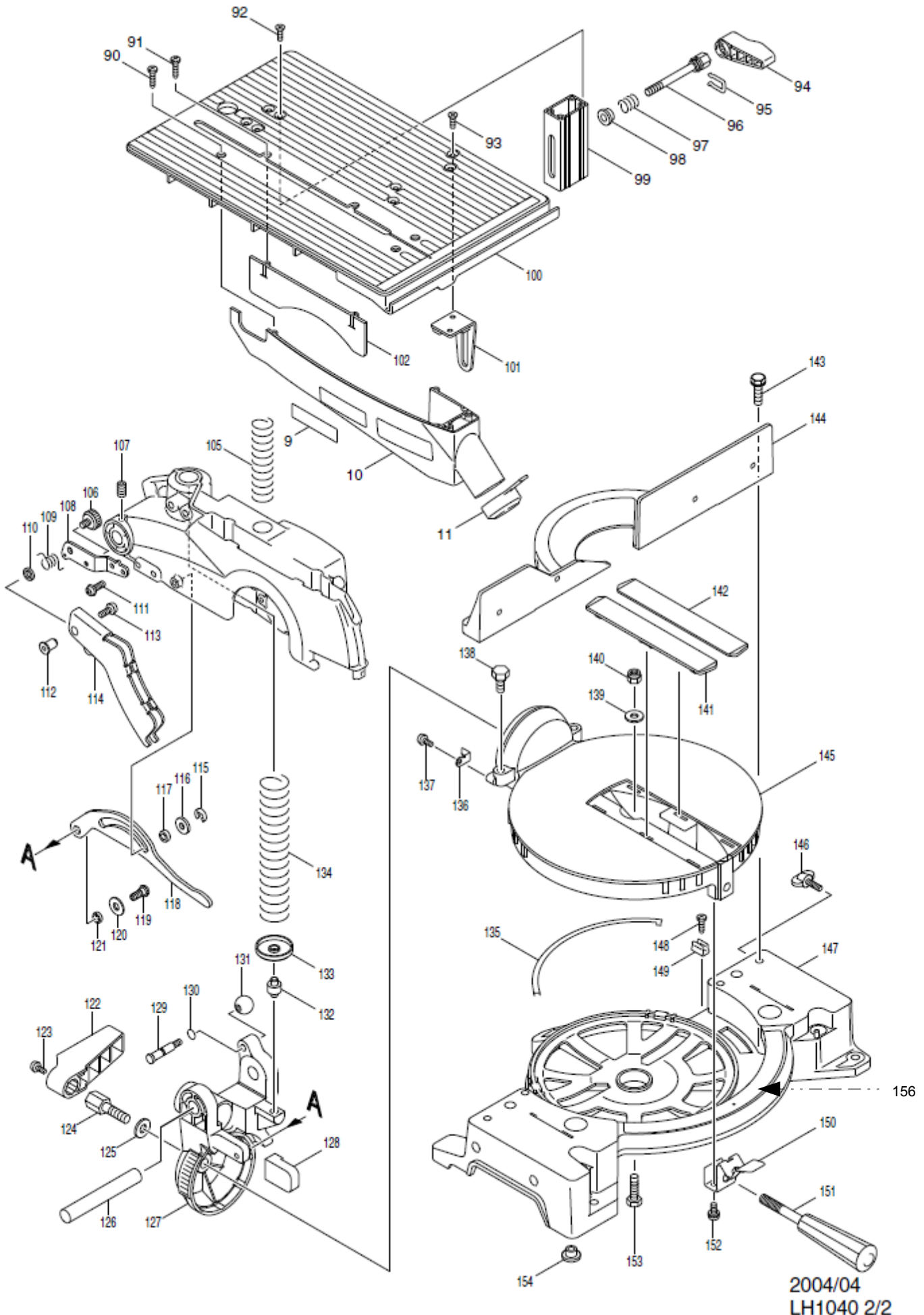


Scie à coupe d'onglet et à délinage LH1040



2004/04
LH1040 1/2



2004/04
LH1040 2/2

Scie à coupe d'onglet et à délignage LH1040



Item	Parts_No.	Parts_Description	Qty
1	153993-1	BLADE CASE COMPLETE	1
1	263005-3	RUBBER PIN 6	1
1	810968-0	CAUTION LABEL	1
1	817667-5	CAUTION LABEL	1
2	262511-5	RUBBER SLEEVE 6	1
3	251667-9	HEX. BOLT M8X75	1
4	154521-5	COVER COMPLETE	1
4	817283-3	CAUTION LABEL	1
5	252103-8	HEX. LOCK NUT M5-8	1
6	911223-4	PAN HEAD SCREW M5X16	1
7	345423-8	RIVING KNIFE	1
8	251644-1	HEX. FLANGE HEAD BOLT M8X20	2
9	819064-1	MAKITA MARK	1
10	183881-8	UNDER GUARD L	1
10	810063-6	CAUTION LABEL	1
10		INC. 9	0
11	421362-7	CAP	1
12	226465-0	HELICAL GEAR 42	1
13	213621-1	O RING 46	1
14	316821-3	BEARING BOX	1
15	211256-2	BALL BEARING 6203LLB	1
16	285685-5	BEARING RETAINER 64	1
17	911223-4	PAN HEAD SCREW M5X16	2
18	322865-3	SPINDLE	1
19	224333-1	FLANGE 53	1
20	257262-3	RING 16	1
21	224333-1	FLANGE 53	1
22	265355-2	HEX. FLANGE HEAD BOLT M8X20	1
23	343639-9	CENTER PLATE	1
24	344380-7	CENTER COVER	1
25	265324-3	HEX. FLANGE HEAD BOLT M8X12	1
26	231593-8	TORSION SPRING 36	1
27	418625-0	SAFETY COVER	1
28	267136-0	FLAT WASHER 5	1
29	911213-7	PAN HEAD SCREW M5X12	1
30	265985-9	HEX.SOCKET HEAD BOLT M6	1
31	265995-6	TAPPING SCREW 4X18	3
32	418620-0	HOUSING COVER	1
33	654561-8	TERMINAL BLOCK	1
34	631613-2	SOFT START CIRCUIT	1
35	265995-6	TAPPING SCREW 4X18	2
36	687052-4	STRAIN RELIEF	1
036-1	687124-5	STRAIN RELIEF	1
37	599519-9	FIELD ASS'Y 220-240V	1
37	654020-2	RING TERMINAL	2
37	654502-4	CONNECTOR P-2	2
38	418621-8	BAFFLE PLATE	1
39	211061-7	BALL BEARING 6000LLB	1
40	681640-9	INSULATION WASHER	1
41	516718-8	ARMATURE ASS'Y 220V	1
41		INC. 3940424445	0
42	241909-9	FAN 80	1
43	343641-2	SHAFT LOCK	1
44	211206-7	BALL BEARING 6202LLB	1
45	267280-3	FLAT WASHER 15	1
46	231297-2	COMPRESSION SPRING 9	1
47	324496-4	LOCK PIN 8	1

Scie à coupe d'onglet et à délignage LH1040



48	266029-8	TAPPING SCREW 5X65	2
49	418629-2	SWITCH BOX	1
50	265995-6	TAPPING SCREW 4X18	4
52	652772-9	RELAY 305.232.01	1
53	153996-5	CLAMP PLATE COMPLETE	1
54	266020-6	TAPPING SCREW 4X12	2
55	153995-7	HANDLE COMPLETE	1
56	941201-0	FLAT WASHER 8	2
57	331683-8	PIPE 9-126	1
58	860807-4	NAME PLATE LH1040	1
058-1	864415-3	LH1040 NAME PLATE	1
59	911383-2	PAN HEAD SCREW M6X60	4
60	181044-0	CARBON BRUSH CB-153	1
61	643650-4	BRUSH HOLDER CAP 6.5-13.5	2
62	153994-9	MOTOR HOUSING COMPLETE	1
62	643660-1	BRUSH HOLDER 6.5-13.5	2
062-1	158561-5	MOTOR HOUSING COMPLETE	1
062-1	643653-8	BRUSH HOLDER 6.5-13.5	2
63	682516-3	CORD GUARD 9.3-85	1
64	665865-3	POWER SUPPLY CORD 1.0-2-2.5	1
65	165389-4	BLADE GUARD	1
66	911206-4	PAN HEAD SCREW M5X10	2
67	272230-5	LEVER 54	1
68	231955-0	RING SPRING 12	1
69	331682-0	LOCK BOLT M8X150	1
70	265995-6	TAPPING SCREW 4X18	4
71	645200-1	NOISE SUPPRESSOR	1
72	418618-7	PIN	1
73	443103-1	FELT RING 6	1
74	253186-1	FLAT WASHER 7	1
75	231025-5	COMPRESSION SPRING 8	1
76	418616-1	SWITCH BUTTON ON	1
77	418617-9	SWITCH BUTTON OFF	1
78	231025-5	COMPRESSION SPRING 8	1
79	253186-1	FLAT WASHER 7	1
80	443103-1	FELT RING 6	1
81	418618-7	PIN	1
86	231674-8	TORSION SPRING 9	1
87	421589-9	CAP	1
88	345427-0	LOCK LEVER	1
89	911113-1	PAN HEAD SCREW M4X10	2
90	265995-6	TAPPING SCREW 4X18	3
91	265995-6	TAPPING SCREW 4X18	2
92	912222-9	COUNTERSUNK HEAD SCREW M5X16	4
93	912222-9	COUNTERSUNK HEAD SCREW M5X16	4
94	272230-5	LEVER 54	1
95	231955-0	RING SPRING 12	1
96	331681-2	LOCK BOLT M8X70	1
97	233042-1	COMPRESSION SPRING 14	1
98	257675-8	SLEEVE 8	1
99	317779-9	TABLE SUPPORT	1
100	153992-3	TABLE COMPLETE	1
100	816818-7	SCALE PLATE	1
101	165388-6	SUPPORT PLATE	2
102	418619-5	UNDER GUARD R	1
105	233415-8	COMPRESSION SPRING 21	1
106	251812-6	SCREW M5X10	1
107	251961-9	H.S.SET SCREW(FLAT POINT)M6X10	1

Scie à coupe d'onglet et à délignage LH1040



108	345425-4	GUARD HOLDER	1
109	231675-6	TORSION SPRING 11	1
110	267070-4	FLAT WASHER 10	1
111	911223-4	PAN HEAD SCREW M5X16	2
112	324497-2	GUARD SHAFT	1
113	911223-4	PAN HEAD SCREW M5X16	1
114	345426-2	GUARD	1
115	961018-5	STOP RING E-5	1
116	253804-1	FLAT WASHER 6	1
117	257163-5	RING 6	1
118	344377-6	LINK PLATE	1
119	265984-1	HEX.SOCKET BUTTON HEAD BOLT M6	1
120	253823-7	FLAT WASHER 7	1
121	257162-7	RING 7	1
122	416006-2	LEVER 100	1
123	911113-1	PAN HEAD SCREW M4X10	1
124	265437-0	HEX. BOLT M10	1
125	253024-7	FLAT WASHER 10	1
126	256836-7	ROD 16	1
127	154463-3	ARM COMPLETE	1
128	421867-7	CAP	1
129	324183-5	STOPPER PIN	1
130	213021-5	O RING 5	1
131	271601-3	KNOB 20	1
132	256280-8	PIN 8	1
133	344464-1	SPRING HOLDER	1
134	233414-0	COMPRESSION SPRING 27	1
135	343799-7	SLIDE PLATE	3
136	344385-7	POINTER	1
137	911113-1	PAN HEAD SCREW M4X10	1
138	265455-8	HEX. BOLT M8X28	2
139	253762-1	FLAT WASHER 8	1
140	252105-4	HEX. LOCK NUT M8-13	1
141	418615-3	KERF BOARD	1
142	418615-3	KERF BOARD	1
143	265488-3	HEX. BOLT M8X30	4
144	317782-0	GUIDE FENCE	1
145	316824-7	TURN BASE	1
146	265708-5	SCREW M6X20	1
147	153998-1	BASE COMPLETE	1
147	816311-1	MITER SCALE PLATE	1
147	810965-6	CAUTION LABEL	1
147	817283-3	CAUTION LABEL	2
148	266034-5	TAPPING SCREW CT 4X16	1
149	232075-3	LEAF SPRING	1
150	344381-5	KNOCK SPRING	1
151	273495-2	GRIP 32	1
152	911213-7	PAN HEAD SCREW M5X12	2
153	921452-1	HEX. BOLT M8X30	1
154	286212-1	CAP 20	4
155	265954-0	TAPPING SCREW BIND PT3X8	1
156	816311-1	ECHELLE DES ANGLES	1

Scie à coupe d'onglet et à délignage LH1040



A01	122472-0	SET PLATE ASS'Y	1
A01	251887-5	SCREW M6X10	1
A02	122523-9	DUST BAG ASS'Y	1
A02	410602-8	FASTENER	1
A03	122707-9	RULER ASS'Y	1
A03	165392-5	RULE HOLDER	1
A03	251858-2	SCREW M6X15	1
A03	265730-2	THUMB SCREW M6X35	1
A03	345424-6	GUIDE PLATE	1
A03	345440-8	LOCK PLATE	1
A03	418662-4	RULE GUIDE	1
A03	911159-7	PAN HEAD SCREW M4X30	2
A03	941151-9	FLAT WASHER 6	1
A03	317793-5	RULER	1
A04	257022-3	RING 16	1
A05	762001-3	TRIANGULAR RULE	1
A06	122716-8	SUB PLATE ASS'Y	1
A06	252148-6	SQUARE NUT M8	1
A06	921431-9	HEX. BOLT M8X20	1
A06	922206-9	HEX. SOCKET HEAD BOLT M5X10	2
A07	322312-4	HOLDER	1
A08	416772-1	PUSH STICK	1
A09	418626-8	BLADE COVER	1
A10	B-03838	T.C.T.SAW BLADE 260X30X60T	1
A11	782212-4	SOCKET WRENCH 13	1



122472-0 + 265725-5



122523-9 + 410602-8



257022-3



762001-3



122716-8 + 252148-6
+ 921431-9 + 922206-9



322312-4



416772-1