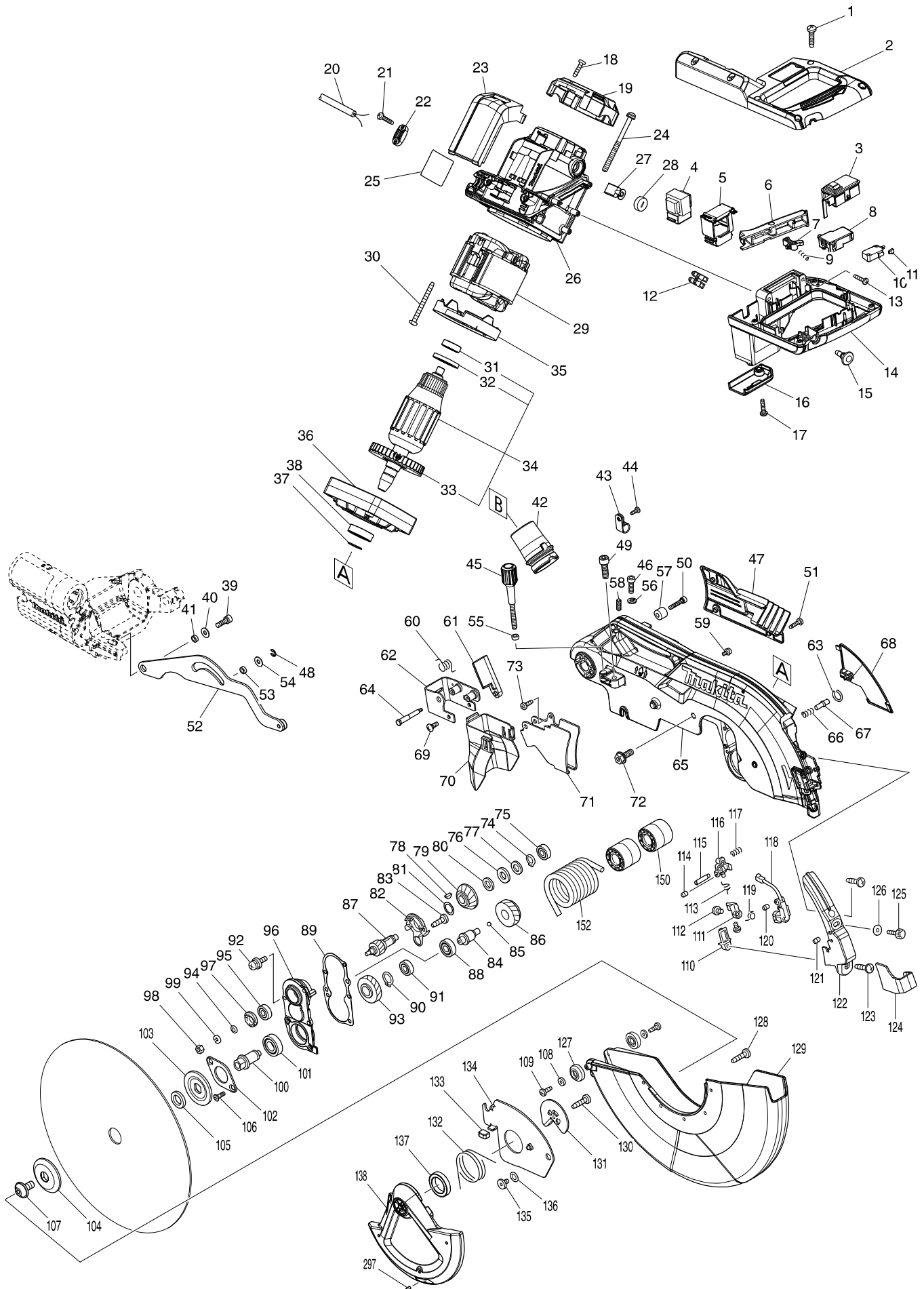
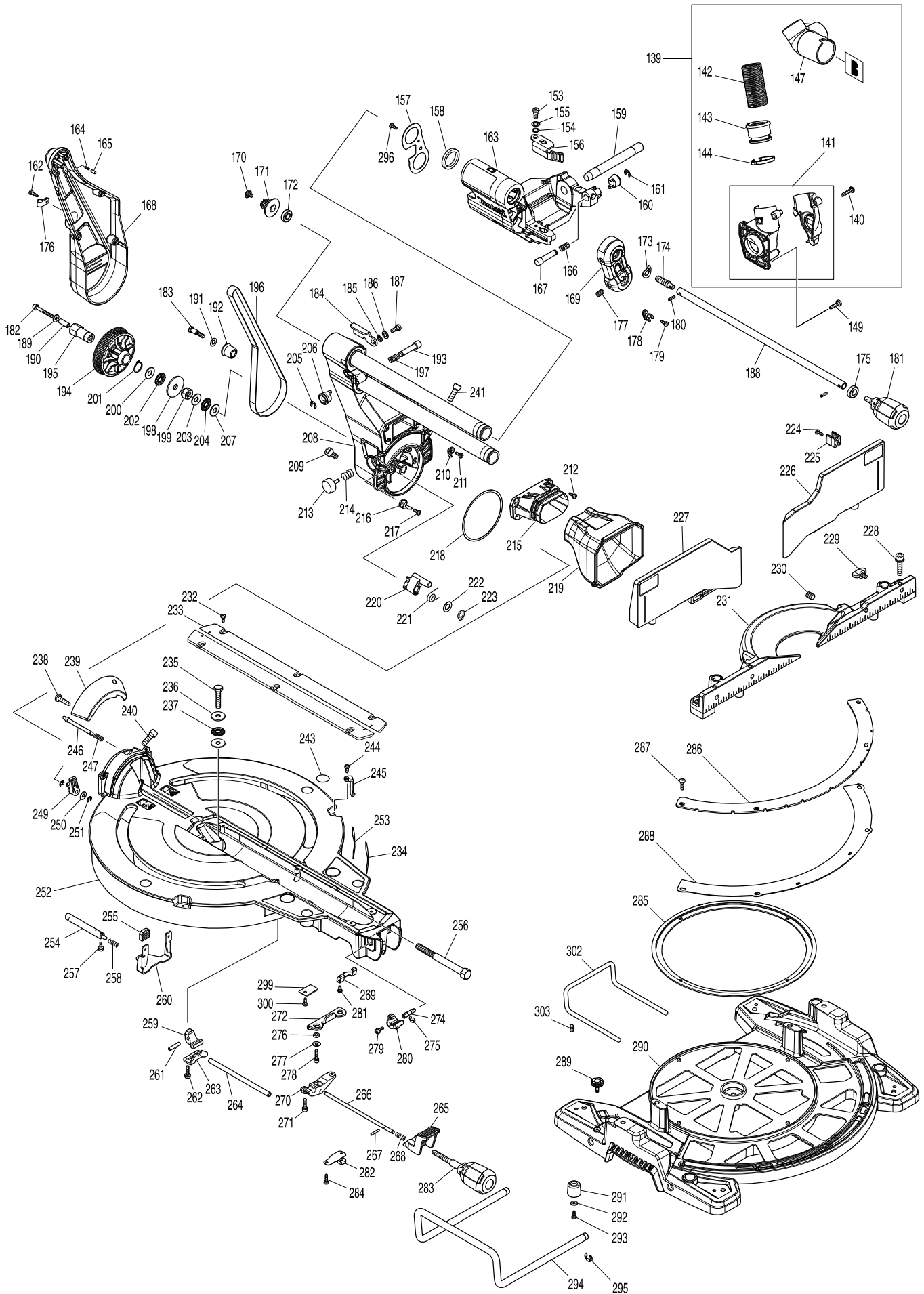


# Numéro du modèle LS1219L 305MM SLIDE COMPOUND MITER SAW



# Numéro du modèle LS1219L 305MM SLIDE COMPOUND MITER SAW



Position	Référence pièce	Description	Echelle	QTE	N/O	Option 1	Option 2	COMMENTAIRE
001	265995-6	TAPPING SCREW 4X18		6	0		P1	
002	183H19-3	HANDLE SET		1				
C10	810486-8	CAUTION LABEL		1	0		P1	
C20	808641-4	SWITCH INDICATION LABEL		1				
D10		INC. 14						
003	638652-3	LASER SWITCH UNIT		1				
004	631908-3	POWER SUPPLY CIRCUIT		1				
005	451412-4	CASE		1				
006	451003-1	SWITCH LEVER		1	0		P1	
007	416356-5	LOCK-OFF LEVER		1	65		P2	
008	650687-4	SWITCH TGC32B		1				
009	231026-3	COMPRESSION SPRING 4		1	0		P1	
010	651941-9	SWITCH V-15-2A5		1	9		P12	
011	686015-7	RECEPTACLE SLEEVE		2	0		P1	
012	654531-7	TERMINAL BLOCK 2P		1	45		P19	
013	265995-6	TAPPING SCREW 4X18		4	0		P1	
014	183H19-3	HANDLE SET		1				
C10	810486-8	CAUTION LABEL		1	0		P1	
C20	808641-4	SWITCH INDICATION LABEL		1				
D10		INC. 2						
015	451037-4	SWITCH BUTTON		1	0		P1	
016	451000-7	LEAD COVER HOLDER		1	0		P1	
017	265995-6	TAPPING SCREW 4X18		1	0		P1	
018	265995-6	TAPPING SCREW 4X18		2	0		P1	
019	457652-2	REAR COVER		1				
020	665865-3	POWER SUPPLY CORD 1.0-2-2.5		1			P23	
021	265995-6	TAPPING SCREW 4X18		2	0		P1	
022	687052-4	STRAIN RELIEF		1	0		P1	
023	620811-3	CONTROLLER		1				
024	911948-0	PAN HEAD SCREW M6X80 WITH WR		4	0		P1	
025	854B49-2	LS1219L NAME PLATE		1				
026	144533-6	MOTOR HOUSING COMPLETE		1				
C10	643660-1	BRUSH HOLDER 6.5-13.5		2	2		P7	
027	181044-0	CARBON BRUSH CB-153		1	4		P13	
028	643650-4	BRUSH HOLDER CAP 6.5-13.5		2	1		P4	
029	596359-6	FIELD ASSEMBLY 240V		1	45		P28	
C10	654020-2	RING TERMINAL		2	1		P1	
C20	654502-4	CONNECTOR P-2		2	65		P2	
030	266329-6	TAPPING SCREW 5X60		2	0		P1	
031	210067-2	BALL BEARING 6000ZZ		1	65		P2	
032	681642-5	INSULATION WASHER		1	85		P7	
033	240001-8	FAN 80		1	2		P9	
034	517844-6	ARMATURE ASSEMBLY 240V		1	2		P32	
D10		INC. 31-33						
035	451194-8	BAFFLE PLATE		1	0		P1	
036	318471-0	MOTOR BRACKET		1	9		P12	
037	961057-5	RETAINING RING S-17		1	0		P1	
038	211275-8	BALL BEARING 6003DDW		1	1		P20	

Position	Référence pièce	Description	Echelle	QTE	N/O	Option 1	Option 2	COMMENTAIRE
039	922331-6	HEX. SOCKET HEAD BOLT M6X20		1	0		P1	
040	253804-1	FLAT WASHER 6		1	65		P2	
041	257163-5	RING 6		1	1		P4	
042	457704-9	DUST NOZZLE		1				
043	687042-7	STRAIN RELIEF		1	0		P1	
044	266034-5	TAPPING SCREW CT 4X16		1	0		P1	
045	251554-2	THUMB SCREW M6X40		1				
046	922332-4	HEX. SOCKET HEAD BOLT M6X20		1	0		P1	
047	458146-0	LOGO PLATE		1				
048	961018-5	STOP RING E-5		1	0		P1	
049	251547-9	HEX.SOCKET HEAD BOLT M8X25		1				
050	922251-4	HEX. SOCKET HEAD BOLT M5X30		1	0		P1	
051	266034-5	TAPPING SCREW CT 4X16		3	0		P1	
052	144929-1	LINK PLATE COMPLETE		1				
053	257163-5	RING 6		1	1		P4	
054	253804-1	FLAT WASHER 6		1	65		P2	
055	262001-8	URETHANE RING 5		1	1		P1	
056	942151-2	SPRING WASHER 6		1	0		P1	
057	257449-7	SLEEVE 6		1				
058	266321-2	H.S.SET SCREW(FLAT POINT)M6X16		1	0		P1	
059	911114-9	PAN HEAD SCREW M4X10		2	0		P1	
060	231675-6	TORSION SPRING 11		1	0		P1	
061	457764-1	DUST GUIDE PLATE		1				
062	161647-6	GUARD HOLDER		1				
063	231928-3	RING SPRING 8		1	65		P2	
064	251544-5	SHOULDER HEX. BOLT M4		1				
065	144918-6	BLADE CASE COMPLETE		1				
C10	263005-3	RUBBER PIN 6		3	65		P2	
C20	810064-4	LASER BEAM CAUTION LABEL		1	0		P3	
C30	810354-5	LASER BEAM LABEL		1				
066	231240-1	COMPRESSION SPRING 7		1	65		P2	
067	256633-1	PIN 6		1	65		P2	
068	458148-6	LEAD COVER		1				
069	265028-7	+ PAN HEAD SCREW M4X11		1	0		P3	
070	422235-7	GUARD		1				
071	347308-4	GUARD PLATE		1				
072	266283-4	HEX. SOCKET HEX. BOLT M8X20		1	0		P1	
073	266020-6	TAPPING SCREW 4X12		1	0		P1	
074	961052-5	RETAINING RING S-12		1	65		P1	
075	210005-4	BALL BEARING 608DDW		1	4		P13	
076	261104-5	RUBBER WASHER 12		1	0		P1	
077	253744-3	FLAT WASHER 12		1	0		P3	
078	254001-2	WOODRUFF KEY 4		1	2		P1	
079	227550-2	SPIRAL BEVEL GEAR 32		1	2		P8	
080	253744-3	FLAT WASHER 12		1	0		P3	
081	253313-0	THIN WASHER 14		1	0		P1	
082	451002-3	GREASE HOLDER		1	0		P1	
083	266026-4	TAPPING SCREW BIND CT 4X12		2	0		P1	

Position	Référence pièce	Description	Echelle	QTE	N/O	Option 1	Option 2	COMMENTAIRE
084	325643-0	GEAR SHAFT		1	1		P5	
085	216024-8	STEEL BALL 4		1	0		P1	
086	227702-5	HELICAL GEAR 27		1	2		P7	
087	227701-7	HELICAL GEAR 14		1	2		P7	
088	210067-2	BALL BEARING 6000ZZ		1	65		P2	
089	442147-8	GASKET		1	1		P4	
090	961055-9	RETAINING RING S-15		1	0		P1	
091	210005-4	BALL BEARING 608DDW		1	4		P13	
092	911223-4	PAN HEAD SCREW M5X16		3	0		P1	
093	227703-3	HELICAL GEAR 28		1	2		P7	
094	267010-2	FLAT WASHER 5		1	65		P2	
095	210005-4	BALL BEARING 608DDW		1	4		P13	
096	158957-0	BEARING BOX COMPLETE		1	9		P12	
C10	263002-9	RUBBER PIN 4		1	0		P1	
097	285847-5	BEARING RETAINER 14-23		1	1		P6	
098	931202-6	HEX. NUT M5		1			P2	
099	942101-7	SPRING WASHER 5		1	0		P1	
100	325644-8	SPINDLE		1	1		P6	
101	211236-8	BALL BEARING 6002DDW		1	8		P18	
102	285732-2	BEARING RETAINER 51		1	0		P1	
103	224431-1	INNER FLANGE 53		1	1		P5	
104	224432-9	OUTER FLANGE 53		1	1		P5	
105	257262-3	RING 16		1	65		P2	
106	265034-2	+ COUNTERSUNK HEAD SCREW M5X16		2	65		P2	
107	266755-9	HEX.SOCKET HEAD BOLT M10X20		1	0		P1	
108	941051-3	FLAT WASHER 4		2	0		P1	
109	266020-6	TAPPING SCREW 4X12		2	0		P1	
110	418104-8	LENS		1	1		P1	
111	419378-4	BLOCK B		1	65		P4	
112	911003-8	PAN HEAD SCREW M3X6		2	65		P2	
113	231664-1	TORSION SPRING 9		1	0		P1	
114	266318-1	H.S.SET SCREW(FLAT POINT)M4X6		1	0		P1	
115	266306-8	SHOULDER SCREW M5		1	0		P3	
116	419379-2	BLOCK C		1	1		P6	
117	233471-8	COMPRESSION SPRING 6		1	0		P1	
118	638651-5	LASER CIRCUIT COMPLETE		1	8		P18	
119	231664-1	TORSION SPRING 9		1	0		P1	
120	266318-1	H.S.SET SCREW(FLAT POINT)M4X6		1	0		P1	
121	266229-0	H.S.SET SCREW(CUP POINT)M5X8		2	0		P1	
122	451195-6	LASER COVER		1			P3	
123	266034-5	TAPPING SCREW CT 4X16		2	0		P1	
124	457664-5	PROTECTOR		1				
125	265753-0	THUMB SCREW M5X24		1	65		P2	
126	253807-5	FLAT WASHER 5		1	65		P2	
127	424193-3	ROLLER		2	0		P1	
128	266385-6	TAPPING SCREW 4X14		3	0		P1	
129	458144-4	SAFETY COVER B		1				
130	266385-6	TAPPING SCREW 4X14		1	0		P1	

Position	Référence pièce	Description	Echelle	QTE	N/O	Option 1	Option 2	COMMENTAIRE
131	347213-5	CENTER PLATE		1				
132	231634-0	TORSION SPRING 45		1	0		P1	
133	424190-9	CUSHION		1	0		P1	
134	347214-3	CENTER COVER		1				
135	265985-9	HEX.SOCKET HEAD BOLT M6		1	1		P4	
136	253932-2	WAVE WASHER 10		1	0		P1	
137	210168-6	BALL BEARING 6805DDW		1				
138	458437-9	SAFETY COVER A		1				
139	126792-4	DUST NOZZLE ASS'Y		1				
D10		INC. 140-144,147						
140	265995-6	TAPPING SCREW 4X18		3	0		P1	
141	183H71-1	HOSE CONNECTOR SET		1				
142	245048-7	HOSE 28-0.5		1				
143	457672-6	SLEEVE		1				
144	457673-4	STOPPER		1				
147	458198-1	HOSE JOINT		1				
149	266034-5	TAPPING SCREW CT 4X16		3	0		P1	
150	458149-4	SLEEVE 17		2				
152	233542-1	TORSION SPRING 40		1	8		P16	
153	251267-5	+ PAN HEAD SCREW M6		1	65		P2	
154	253948-7	WAVE WASHER 8		1	0		P1	
155	253835-0	FLAT WASHER 8		1	65		P2	
156	347221-6	STOPPER ARM		1				
157	347222-4	FRONT ARM PLATE		1				
158	262076-7	FELT RING 30		2				
159	326994-4	ROD 16		1				
160	271437-0	KNOB 22		1				
161	961013-5	STOP RING E-7		1	0		P1	
162	266034-5	TAPPING SCREW CT 4X16		4	0		P1	
163	144912-8	FRONT ARM COMPLETE		1				
C10	263005-3	RUBBER PIN 6		2	65		P2	
164	233151-6	COMPRESSION SPRING 4		1	0		P1	
165	256364-2	PIN 4		1				
166	232384-0	COMPRESSION SPRING 10		1				
167	326977-4	STOPPER PIN		1				
168	458145-2	ARM COVER		1				
169	144658-6	HOLDER COMPLETE		1				
C10	812X89-8	INDICATION LABEL		1				
170	265008-3	+ FLAT HEAD SCREW M5		1	1		P4	
171	222191-9	PULLEY 17-19.3		1				
172	210167-8	BALL BEARING 6900LLB		1				
173	267804-5	WAVE WASHER 15		1	0		P1	
174	326975-8	SHAFT		1				
175	210167-8	BALL BEARING 6900LLB		1				
176	687042-7	STRAIN RELIEF		1	0		P1	
177	913416-9	SET SCREW M8X12		2				
178	416536-3	WRENCH HOLDER		1	0		P3	
179	266026-4	TAPPING SCREW BIND CT 4X12		1	0		P1	

Position	Référence pièce	Description	Echelle	QTE	N/O	Option 1	Option 2	COMMENTAIRE
180	951107-4	SPRING PIN 4-14		2	65		P2	
181	273016-0	GRIP 50 B		1				
182	266440-4	HEX SOCKET HEAD BOLT M5X40		1	0		P1	
183	251545-3	SHOULDER HEX. BOLT M6		1				
184	144930-6	STOP LEVER COMPLETE		1				
C10	812X87-2	INDICATION LABEL		1				
185	253948-7	WAVE WASHER 8		1	0		P1	
186	253835-0	FLAT WASHER 8		1	65		P2	
187	251267-5	+ PAN HEAD SCREW M6		1	65		P2	
188	327054-5	PIN 9-418		1				
189	253194-2	FLAT WASHER 5		1	65		P2	
190	257436-6	SLEEVE 5		1				
191	253165-9	FLAT WASHER 8		1	0		P1	
192	457666-1	SLEEVE 20		1				
193	326977-4	STOPPER PIN		1				
194	222192-7	PULLEY 17-87.8		1				
195	327053-7	HEX. NUT M10-19		1				
196	225102-3	SYNCHRO BELT 15-810		1				
197	232384-0	COMPRESSION SPRING 10		1				
198	253388-9	FLAT WASHER 10		1				
199	252244-0	HEX.LOCK NUT M10-17		1				
200	253024-7	FLAT WASHER 10		1	0		P1	
201	961057-5	RETAINING RING S-17		1	0		P1	
202	216413-7	THRUST NEEDLE CAGE 1024		1	2		P10	
203	253024-7	FLAT WASHER 10		1	0		P1	
204	216413-7	THRUST NEEDLE CAGE 1024		1	2		P10	
205	961013-5	STOP RING E-7		1	0		P1	
206	271437-0	KNOB 22		1				
207	253024-7	FLAT WASHER 10		1	0		P1	
208	144911-0	ARM COMPLETE		1				
C10	812X88-0	INDICATION LABEL		1				
209	251547-9	HEX.SOCKET HEAD BOLT M8X25		1				
210	458151-7	INDICATION PLATE R		1				
211	266026-4	TAPPING SCREW BIND CT 4X12		1	0		P1	
212	266034-5	TAPPING SCREW CT 4X16		4	0		P1	
213	415208-7	RELEASE BUTTON		1	0		P1	
214	233031-6	COMPRESSION SPRING 12		1	0		P1	
215	457654-8	DUST GUIDE HOLDER		1				
216	458150-9	INDICATION PLATE L		1				
217	266026-4	TAPPING SCREW BIND CT 4X12		1	0		P1	
218	253389-7	WASHER 94		1				
219	422229-2	DUST GUIDE		1				
220	319593-9	STOPPER		1				
221	231646-3	TORSION SPRING 14		1	0		P1	
222	253744-3	FLAT WASHER 12		1	0		P3	
223	961052-5	RETAINING RING S-12		1	65		P1	
224	266026-4	TAPPING SCREW BIND CT 4X12		2	0		P1	
225	457668-7	HOLDER		2				

Position	Référence pièce	Description	Echelle	QTE	N/O	Option 1	Option 2	COMMENTAIRE
226	144925-9	UPPER FENCE R COMPLETE		1				
C10	810503-4	CAUTION LABEL		1	0		P1	
227	144922-5	UPPER FENCE L COMPLETE		1				
C10	810503-4	CAUTION LABEL		1	0		P1	
228	922458-2	H.S.H.BOLT M8X35 WITH WR		4				
229	251887-5	SCREW M6X10		2			P5	
230	251561-5	H.SOCKET HEAD SET SCREW M10X12		2				
231	319565-4	GUIDE FENCE		1				
232	266026-4	TAPPING SCREW BIND CT 4X12		6	0		P1	
233	451201-7	KERF BOARD		2	1		P5	
235	265442-7	HEX. BOLT M8X40		1	65		P2	
236	253852-0	FLAT WASHER 8		2	0		P3	
237	216413-7	THRUST NEEDLE CAGE 1024		1	2		P10	
238	266385-6	TAPPING SCREW 4X14		2	0		P1	
239	458147-8	BEVEL SCALE PLATE		1				
240	251547-9	HEX.SOCKET HEAD BOLT M8X25		1				
241	251547-9	HEX.SOCKET HEAD BOLT M8X25		1				
243	813L22-1	CAUTION LABEL		2				
244	266026-4	TAPPING SCREW BIND CT 4X12		2	0		P1	
245	457702-3	INDICATION PLATE		2				
246	326970-8	LOCK PIN 8		1				
247	234122-6	COMPRESSION SPRING 6		1	0		P1	
249	457657-2	LEVER 25		1				
250	253804-1	FLAT WASHER 6		1	65		P2	
251	961018-5	STOP RING E-5		2	0		P1	
252	144928-3	TURN BASE COMPLETE		1				
D10		INC. 243,253						
253	812X85-6	CAUTION LABEL		1				
254	326973-2	ROD 12		1				
255	286039-9	CAP		2				
256	326976-6	CENTER SHAFT		1				
257	911113-1	PAN HEAD SCREW M4X10 WITH WR		2	0		P1	
258	231325-3	COMPRESSION SPRING 6		1	0		P1	
259	310803-7	TURN STOPPER		1				
260	347217-7	LEVER PLATE		1				
261	256186-0	PIN 5		1	0		P1	
262	911231-5	PAN HEAD SCREW M5X20		2	0		P1	
263	347219-3	STOPPER HOLDER		1				
264	327052-9	LOCK ROD		1				
265	457656-4	LOCK LEVER		1				
266	327051-1	LOCK PIN 6		1				
267	256158-5	PIN 3		1	0		P3	
268	231325-3	COMPRESSION SPRING 6		1	0		P1	
269	347237-1	CAM PLATE		1				
270	319592-1	PIN HOLDER		1				
271	922231-0	HEX. SOCKET HEAD BOLT M5X20		2	0		P3	
272	347216-9	LOCK PLATE		1				
274	326972-4	ROD 6		1				



